

※ **New version featuring a 20% reduction in noise levels.**



PERFORMANCE RANGE

- Flow rate up to **90 l/min** (5.4 m³/h)
- Head up to **100 m**

INSTALLATION AND USE

Peripheral pump with radial suction.

Designed to transfer clean water free from abrasive particles and liquids that will not damage the pump's components.

Its compact design and efficient hydraulic performance make it ideal for **domestic applications**.

APPLICATION LIMITS

- Manometric suction head up to **8 m**
- Liquid temperature between **-10 °C** and **+60 °C**
- Ambient temperature up to **+40 °C** (**+50 °C** for PQ 60 and PQ61)
- Maximum working pressure:
 - **6 bar** for PQ 60, PQ 61, PQ 65
 - **7 bar** for PQ 80
 - **10 bar** for PQ 90, PQ 100, PQ 200, PQ 300

AVAILABLE UPON REQUEST

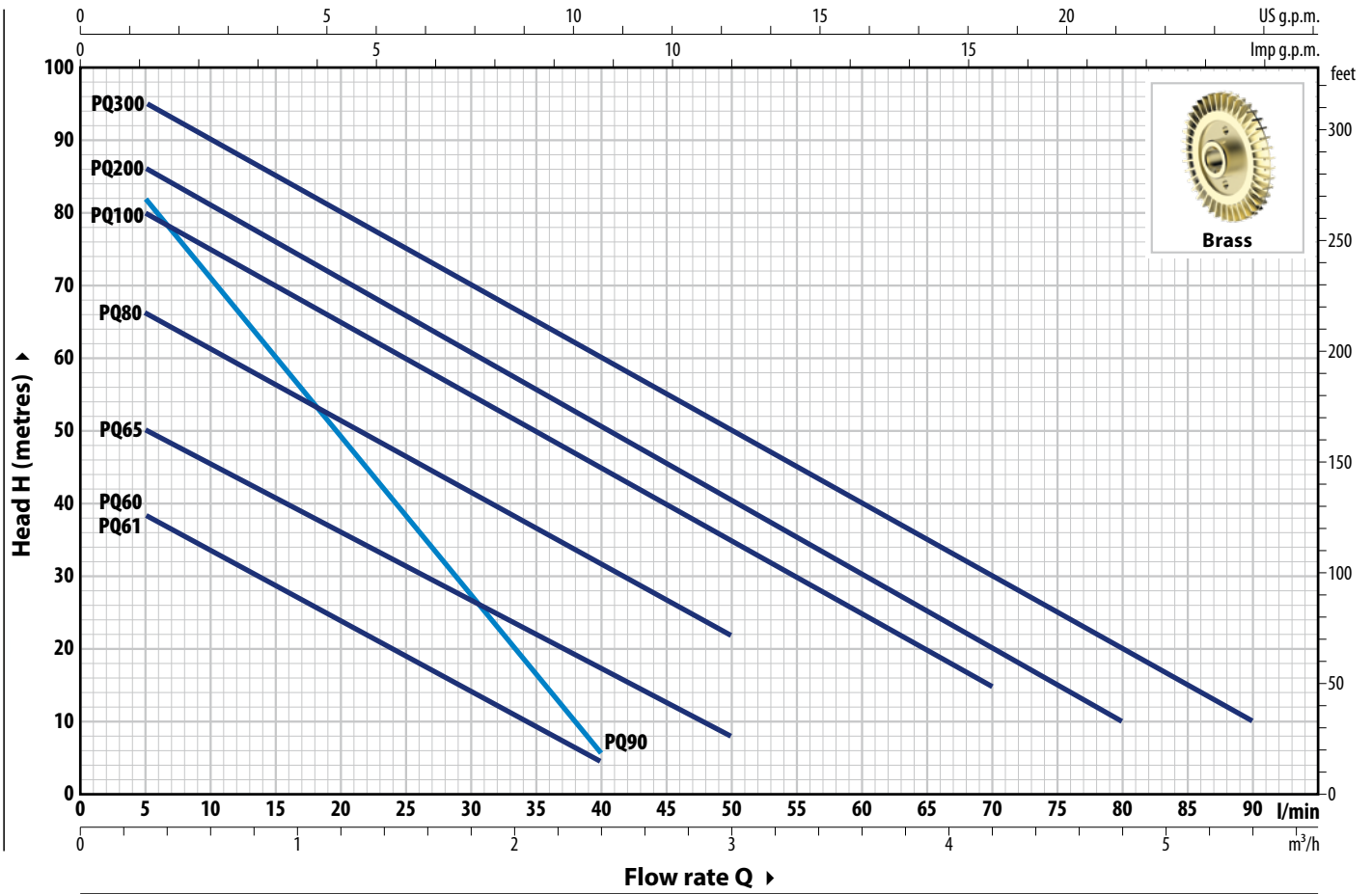
- ※ Pumps for industrial use
- ※ Mechanical seal options available
- ※ Protection rating IP X5 for PQ 80-90-100-200-300
- ※ Different voltage requirements 60 Hz frequency

PATENTS - TRADE MARKS - MODELS

- Motor bracket: Patent No. IT1243605
- Registered community model No. 002146548
- PQm 60® Registered trademark No. 0001520591

CURVES AND PERFORMANCE DATA – HS=0 m

50 Hz



TYPE		POWER (P ₂)		1~	3~	Q	H metres																		
Single-ph.	Three-ph.	kW	HP				0	0.3	0.6	0.9	1.2	1.5	1.8	2.1	2.4	3.0	3.6	4.2	4.8	5.4					
						l/min	0	5	10	15	20	25	30	35	40	50	60	70	80	90					
PQm 60	PQ 60	0.30	0.40	IE2	IE3	H metres	40	38	33.5	29	24	19.5	15	10	5										
PQm 61	PQ 61	0.30	0.40				40	38	33.5	29	24	19.5	15	10	5										
PQm 65	PQ 65	0.55	0.75				55	50	45.5	40.5	36	31	27	22	17	8									
PQm 80	PQ 80	0.75	1				70	66	61	56	51	46	41	36.5	31	22									
PQm 90	PQ 90	0.75	1				90	82	71	60	49	38	27	17	5										
PQm 100	PQ 100	1.1	1.5				85	80	75	70	65	60	55	50	45	35	25	15							
PQm 200	PQ 200	1.5	2				90	86	81	76	71	65.5	60	55	50	40	30	20	10						
PQm 300	PQ 300	2.2	3				100	95	90	85	80	75	70	65	60	50	40	30	20	10					

Q = Flow rate H = Total manometric head HS = Suction height

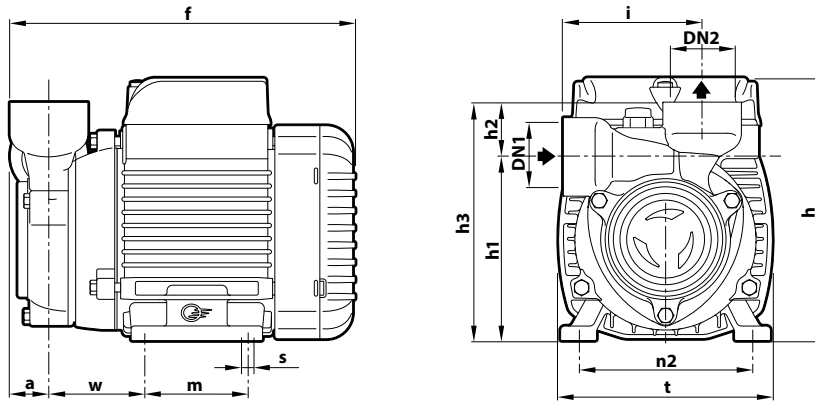
Performance curves comply with EN ISO 9906 Grade 3B tolerance limits.

ABSORPTION

TYPE	VOLTAGE
Single-phase	230 V
PQm 60	2.3 A
PQm 61	2.3 A
PQm 65	3.7 A
PQm 80	5.2 A
PQm 90	5.6 A
PQm 100	9.0 A
PQm 200	12.0 A
PQm 300	13.0 A

TYPE	VOLTAGE	
Three-phase	230 V - Δ	400 V - 人
PQ 60	2.0 A	1.15 A
PQ 61	2.0 A	1.15 A
PQ 65	2.9 A	1.7 A
PQ 80	3.8 A	2.2 A
PQ 90	4.2 A	2.4 A
PQ 100	6.2 A	3.6 A
PQ 200	8.3 A	4.8 A
PQ 300	9.0 A	5.2 A

DIMENSIONS AND WEIGHT



TYPE		PORTS		DIMENSIONS mm												kg	
Single-ph.	Three-ph.	DN1	DN2	a	f	h	h1	h2	h3	i	m	t	n2	w	s	1~	3~
PQm 60	PQ 60	1"	1"	22	192	145	101	30	131	76	55	118	94-100	53	7	4.9	4.9
PQm 61	PQ 61	1/2"	1/2"					32.5	133.5							4.9	4.9
PQm 65	PQ 65	1"	1"	22	220	152	113	30	143	78	80	120	100	62.5	7	6.8	6.2
PQm 80	PQ 80							151	83							9.9	9.9
PQm 90	PQ 90	3/4"	3/4"	22	256	152(*)	126	27	153	84	90	142	112	62.5	7	10.1	10.1
PQm 100	PQ 100	140	168					88	100							164	125
PQm 200	PQ 200	1"	1"	29	322.5	211	140	28	168	88	100	164	125	95	9	15.4	15.4
PQm 300	PQ 300															342.5	18.2

(*) h=199 mm for single-phase 110 V versions

PALLET CAPACITY

TYPE		NO. OF PUMPS
Single-ph.	Three-ph.	
PQm 60	PQ 60	256
PQm 61	PQ 61	256
PQm 65	PQ 65	210
PQm 80	PQ 80	102
PQm 90	PQ 90	102
PQm 100	PQ 100	72
PQm 200	PQ 200	72
PQm 300	PQ 300	72

CONSTRUCTION FEATURES

1 Pump body Cast iron with ISO 228/1 threaded ports
For PQ 61: cast iron with anti-locking treatment with ISO 228/1 threaded ports

2 Motor bracket Aluminum with brass cover and front scraping anti-locking function (patented)

3 Impeller Brass, radial peripheral vane type

4 Mechanical seal	Pump	Seal	Shaft	Materials
	PQ 60-61-65-80	AR-12	Ø 12 mm	Ceramic / Graphite / NBR
	PQ 90	ST1-12	Ø 12 mm	Silicon carbide / Graphite / NBR
	PQ 100-200-300	FN-14	Ø 14 mm	Graphite / Ceramic / NBR

5 Motor shaft Stainless steel **AISI 431** (EN 10088-3 - 1.4104 for PQ 60, PQ 61, PQ 65)

6 Electric motor **PQm**: single-phase 230 V - 50 Hz with winding integrated thermal motor protection.
PQ: three-phase 230/400 V - 50 Hz
※ Pumps are equipped with high-efficiency motors (IEC 60034-30-1)
class **IE2** for single-phase models
class **IE3** for three-phase models
– Continuous running duty **S1**
– Insulation: class F
– Protection rating: IP X4

