

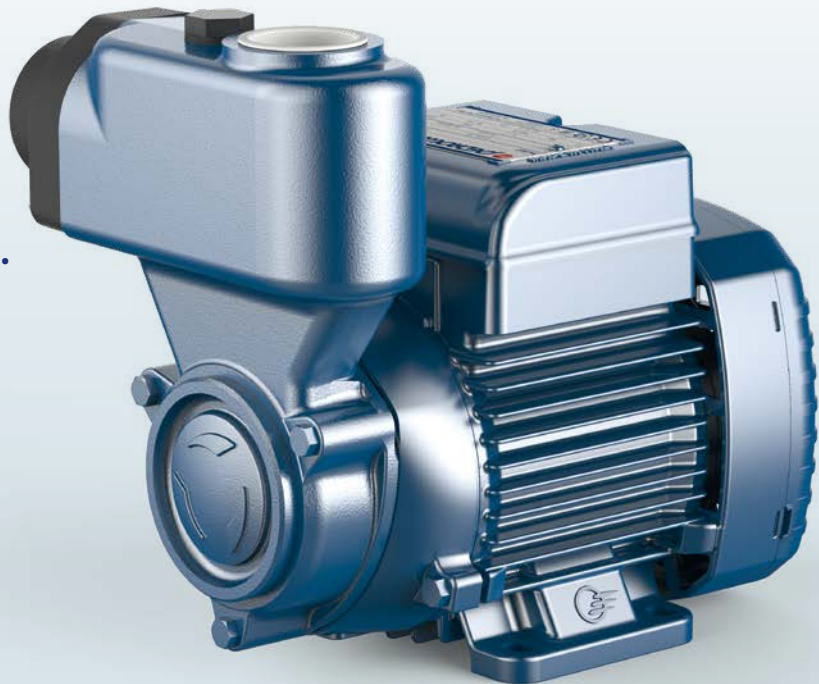


Clean water



Domestic use

- ※ New version featuring an anti-lock braking system.
- ※ Noise levels reduced by 20%.



### PERFORMANCE RANGE

- Flow rate up to **50 l/min** (3.0 m<sup>3</sup>/h)
- Head up to **70 m**

### INSTALLATION AND USE

Designed to transfer clean water free from abrasive particles and liquids that will not damage the pump's components.

Compact, reliable, and cost-effective, they are ideal for domestic applications when paired with small autoclave tanks, and for irrigating gardens and orchards. They are also effective in drawing water from tanks and pumping liquids that contain air or gas. The pumps come equipped with a non-return check valve for suction.

### APPLICATION LIMITS

- Manometric suction head up to **9 m** (HS)
- Liquid temperature between **-10 °C** and **+60 °C**
- Ambient temperature up to **+40 °C** (**+50 °C** for PKS 60)
- Maximum working pressure:
  - **6 bar** for PKS 60, PKS 65
  - **7 bar** for PKS 80

### AVAILABLE UPON REQUEST

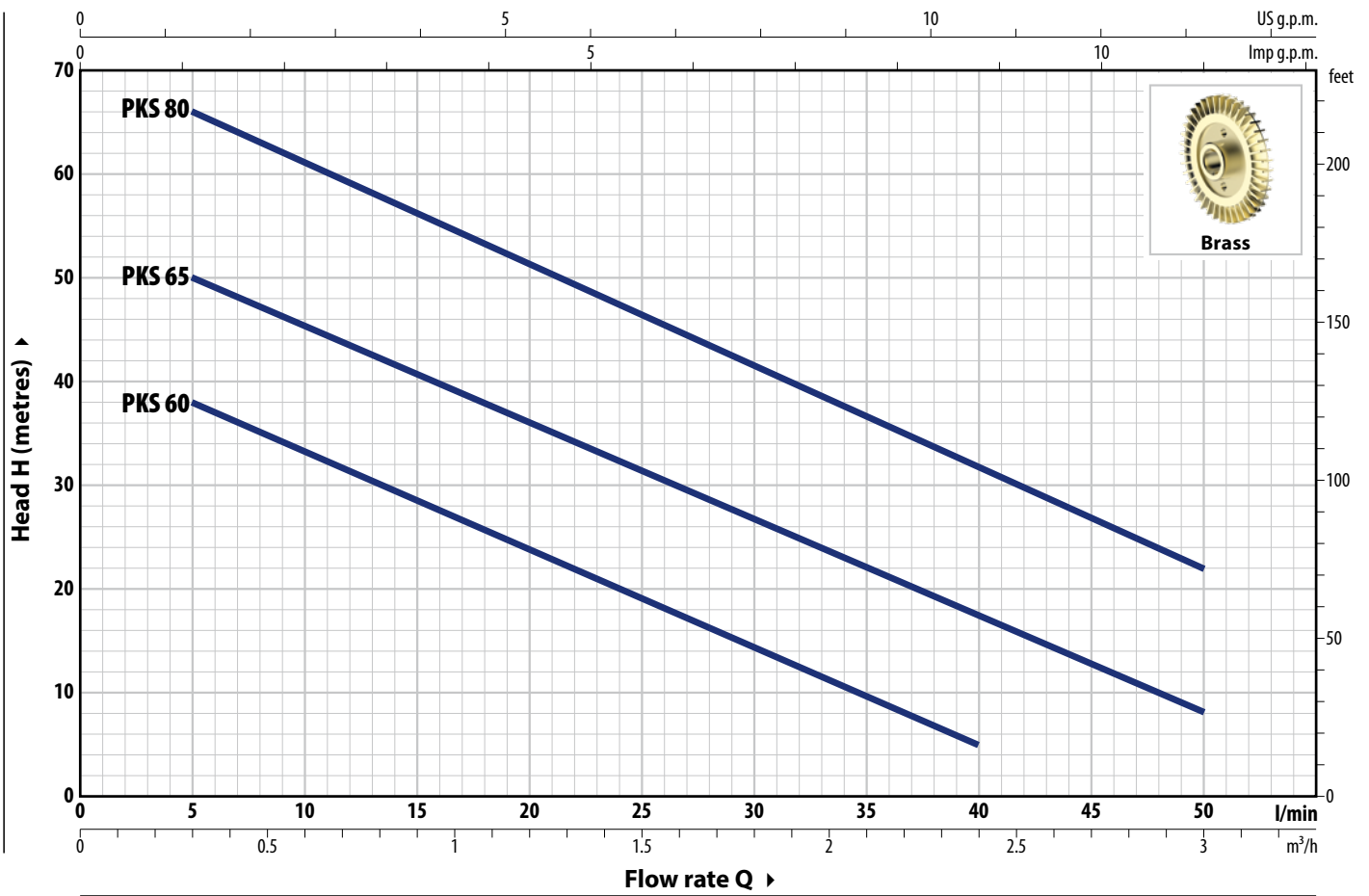
- ※ Mechanical seal options available
- ※ Different voltage requirements 60 Hz frequency

### PATENTS - TRADE MARKS - MODELS

- Motor bracket: Patent No. IT1243605

**CURVES AND PERFORMANCE DATA – HS=0 m**

**50 Hz**

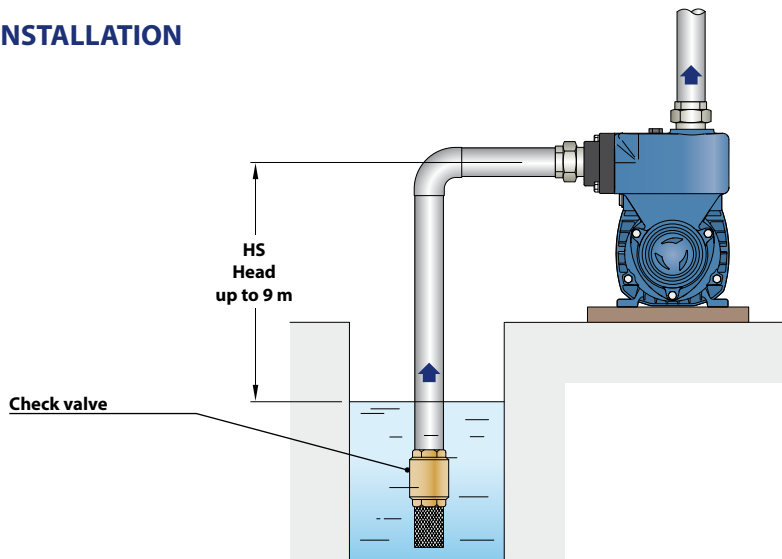


TYPE		POWER (P <sub>2</sub> )		1~3~	Q	m <sup>3</sup> /h											
Single-ph.	Three-ph.	kW	HP			0	0.3	0.6	0.9	1.2	1.5	1.8	2.1	2.4	2.7	3.0	
					l/min	0	5	10	15	20	25	30	35	40	45	50	
PKSm 60	PKS 60	0.30	0.40	IE2 IE3	H metres	40	38	33.5	29	24	19.5	15	10	5			
PKSm 65	PKS 65	0.55	0.75			55	50	45.5	40.5	36	31	27	22	17	12.5	8	
PKSm 80	PKS 80	0.75	1			70	66	61	56	51	46	41	36.5	31	27	22	

Q = Flow rate H = Total manometric head HS = Suction height

Performance curves comply with EN ISO 9906 Grade 3B tolerance limits.

**EXAMPLE OF INSTALLATION**

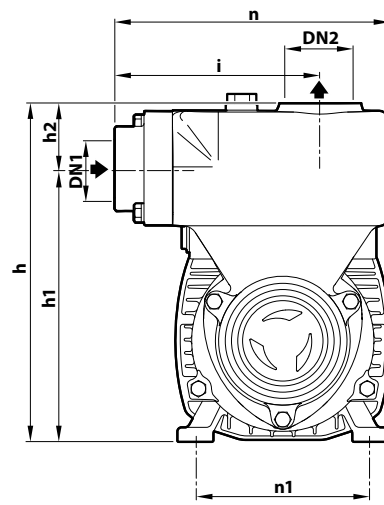
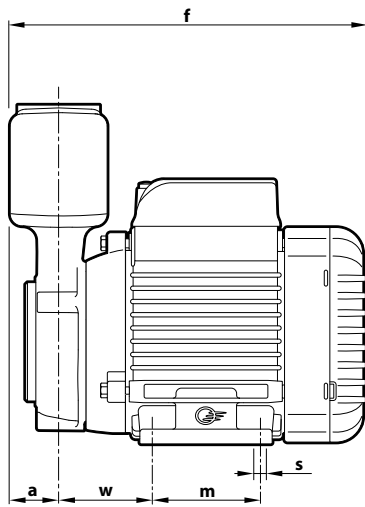


### ABSORPTION

TYPE	VOLTAGE
<b>Single-phase</b>	<b>230 V</b>
<b>PKSm 60</b>	2.3 A
<b>PKSm 65</b>	3.7 A
<b>PKSm 80</b>	5.2 A

TYPE	VOLTAGE	
<b>Three-phase</b>	<b>230 V - Δ</b>	<b>400 V - 人</b>
<b>PKS 60</b>	2.0 A	1.15 A
<b>PKS 65</b>	2.9 A	1.7 A
<b>PKS 80</b>	3.8 A	2.2 A

### DIMENSIONS AND WEIGHT



TYPE		PORTS		DIMENSIONS mm											kg	
Single-ph.	Three-ph.	DN1	DN2	a	f	h	h1	h2	i	m	n	n1	w	s	1~	3~
<b>PKSm 60</b>	<b>PKS 60</b>	<b>1"</b>	<b>1"</b>	28	196	183	149	34	110	55	148	93-100	53	7	5.6	5.6
<b>PKSm 65</b>	<b>PKS 65</b>				227	190	156			80		100			7.6	6.9
<b>PKSm 80</b>	<b>PKS 80</b>				263	198	164			90	160	112			62	10.6

### PALLET CAPACITY

TYPE		NO. OF PUMPS
<b>Single-ph.</b>	<b>Three-ph.</b>	
<b>PKSm 60</b>	<b>PKS 60</b>	224
<b>PKSm 65</b>	<b>PKS 65</b>	168
<b>PKSm 80</b>	<b>PKS 80</b>	96

## CONSTRUCTION FEATURES

- |                          |   |         |                          |
|--------------------------|---|---------|--------------------------|
| <b>1 Pump body</b>       | Cast iron with ISO 228/1 threaded ports   |         |                          |
| <b>2 Check valve</b>     | Built-in check valve in the inlet port  |         |                          |
| <b>3 Motor bracket</b>   | Aluminum with brass cover and front scraping anti-locking function (patented)   |         |                          |
| <b>4 Impeller</b>        | Brass, radial peripheral vane type  |         |                          |
| <b>5 Mechanical seal</b> | Seal  | Shaft   | Materials                |
|                          | <b>AR-12</b>  | Ø 12 mm | Ceramic / Graphite / NBR |
| <b>6 Motor shaft</b>     | Stainless steel <b>AISI 431</b> (EN 10088-3 - 1.4104 for PKS 60, PKS 65)  |         |                          |
| <b>7 Electric motor</b>  | <p><b>PKSm:</b> single-phase 230 V - 50 Hz with winding integrated thermal motor protection.<br/> <b>PKS:</b> three-phase 230/400 V - 50 Hz<br/>         ※ Pumps are equipped with high-efficiency motors (IEC 60034-30-1)<br/>           class <b>IE2</b> for single-phase models<br/>           class <b>IE3</b> for three-phase models<br/>         – Continuous running duty <b>S1</b><br/>         – Insulation: class F<br/>         – Protection rating: IP X4</p> |         |                          |

