



Clean water



Civil use



Agricultural use



Industrial use



### PERFORMANCE RANGE

- Flow rate up to **900 l/min** (54 m<sup>3</sup>/h)
- Head up to **76 m**

### INSTALLATION AND USE

Designed to transfer clean water free from abrasive particles and liquids that will not damage the pump's components.

Reliable and easy to operate, these pumps are widely used in civil, agricultural, and industrial settings for water supply, air conditioning and cooling systems, and irrigation purposes.

### ELECTRIC MOTOR

Equipped with cutting-edge electric motors, the three-phase pumps are designed to work with inverters, offering stable and noiseless performance.

They feature efficiency class **IE3** for three-phase motors and **IE2** for single-phase motors, bolstered by class F insulation and IPX4 protection for models CP160 and CP210, and IPX5 protection for models CP220, CP230, and CP250.

### APPLICATION LIMITS

- Manometric suction head up to **7 m**
- Liquid temperature between **-10 °C** and **+90 °C**
- Ambient temperature between **-10 °C** and **+40 °C**
- Maximum working pressure **10 bar**

### AVAILABLE UPON REQUEST

- ✘ Mechanical seal options available
- ✘ Pump shaft in stainless steel AISI 316 - EN 10088-3 - 1.4401 for CP 220, CP 230, CP 250
- ✘ Protection rating IP X5 for CP 160 and CP 210
- ✘ Different voltage requirements 60 Hz frequency

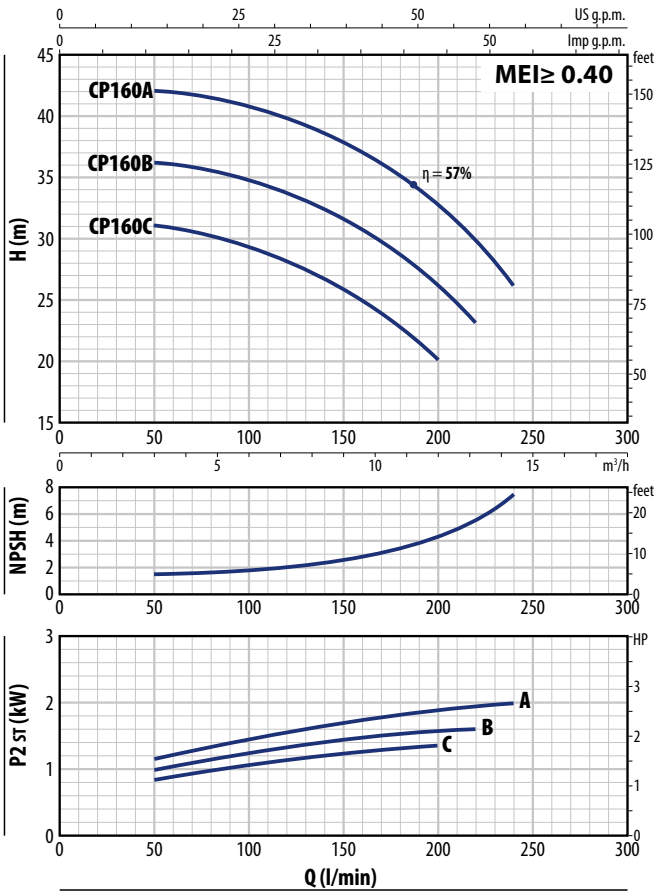
### PATENTS - TRADE MARKS - MODELS

- Registered community model No. 002098434 for CP 160, CP 210, CP 250
- Italian registered model no. 72753 for CP 220, CP 230

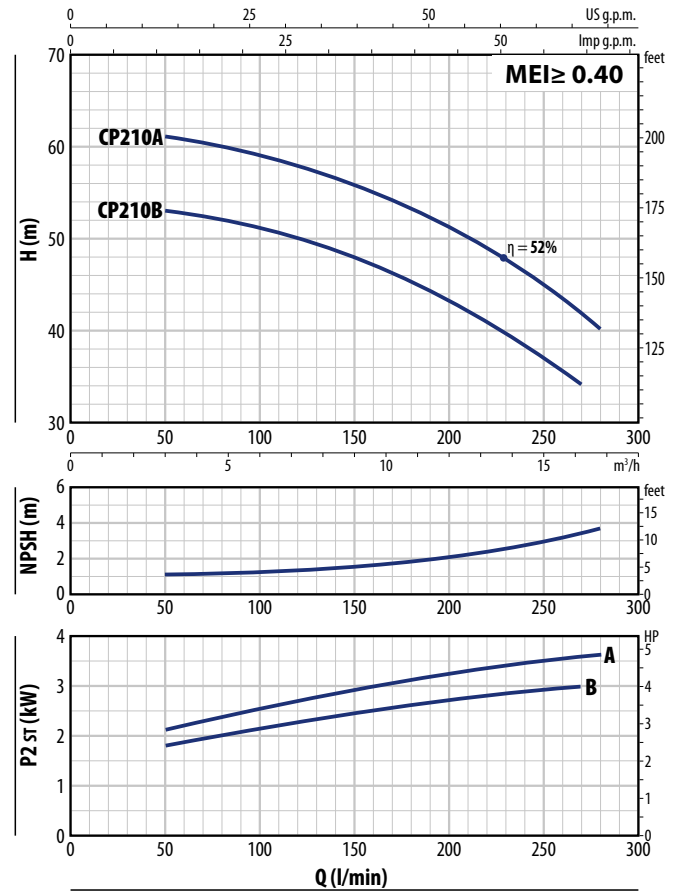
CURVES AND PERFORMANCE DATA – HS=0 m

50 Hz

CP 160



CP 210



CP 160

TYPE		POWER (P <sub>2</sub> )		1~	3~	Q	m <sup>3</sup> /h														
Single-ph.	Three-ph.	kW	HP				0	3	4.5	6	7.5	9	10.5	12	13.2	14.4					
						l/min	0	50	75	100	125	150	175	200	220	240					
CPm 160C	CP 160C	1.1	1.5	IE2	IE3	H metres	32	31	30.5	29.5	28	26	23	20							
CPm 160B	CP 160B	1.5	2				37	36	35.5	34.5	33.5	31.5	29	26.5	23						
CPm 160A	CP 160A	2.2	3				43	42	41.5	40.5	39.5	38	35.5	33	30	26					

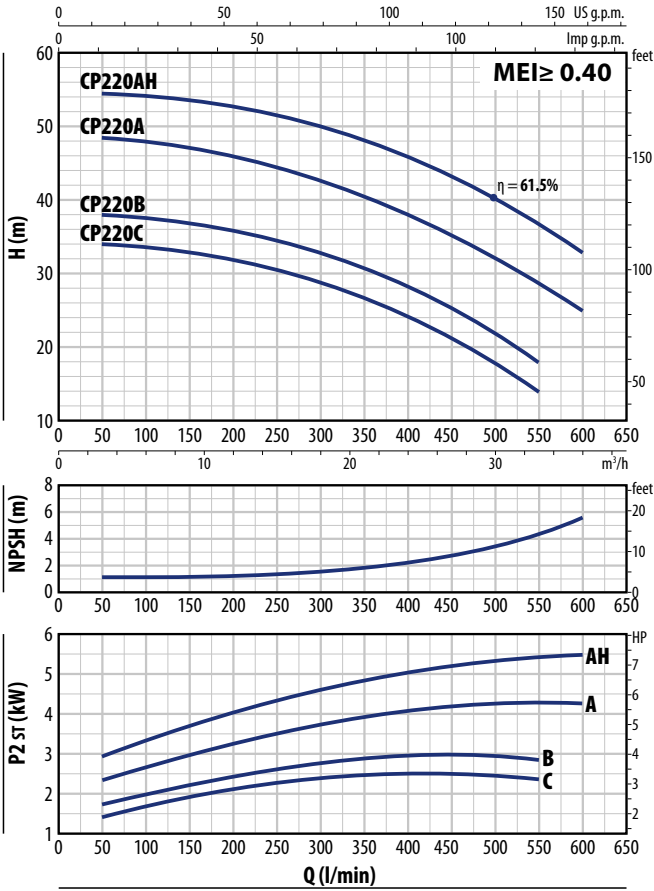
CP 210

TYPE		POWER (P <sub>2</sub> )		3~	Q	m <sup>3</sup> /h													
Three-ph.		kW	HP			0	3	4.5	6	7.5	9	10.5	12	13.2	14.4	15	16.2	16.8	
						l/min	0	50	75	100	125	150	175	200	220	240	250	270	280
CP 210B		3	4	IE3	H metres	54	53	52	51	49.5	48	45.5	43	40	38.5	37	34		
CP 210A		4	5.5			61	61	60	59	57.5	56	53.5	51	49	46.5	45	42	40	

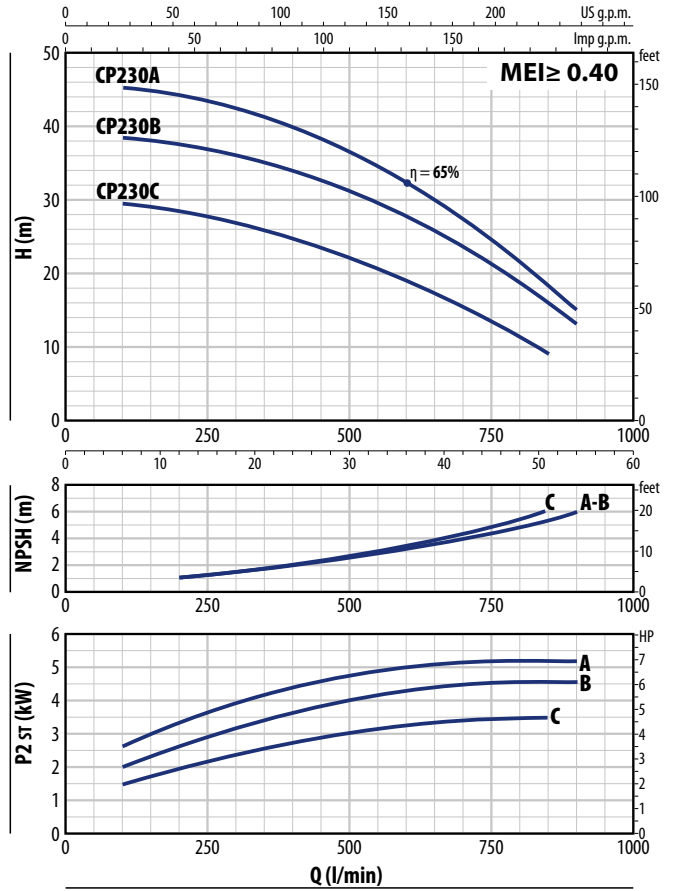
Q = Flow rate H = Total manometric head HS = Suction height

Performance curves comply with EN ISO 9906 Grade 3B tolerance limits.

## CP 220



## CP 230



## CP 220

TYPE		POWER (P <sub>2</sub> )		1~3~	Q	H metres									
Single-phase	Three-phase	kW	HP			0	3	6	12	18	24	30	33	36	
	CP 220C	2.2	3	IE2 IE3	l/min	0	50	100	200	300	400	500	550	600	
	CP 220B	3	4			34	34	33.5	32	29	24.3	18	14		
	CP 220A	4	5.5			38	38	37.5	36	33	28.5	22	18		
	CP 220AH	5.5	7.5			49	48.5	48	46	42.5	38	32	29	25	
						54.5	54.5	54	52.5	50	46	40.5	37	33	

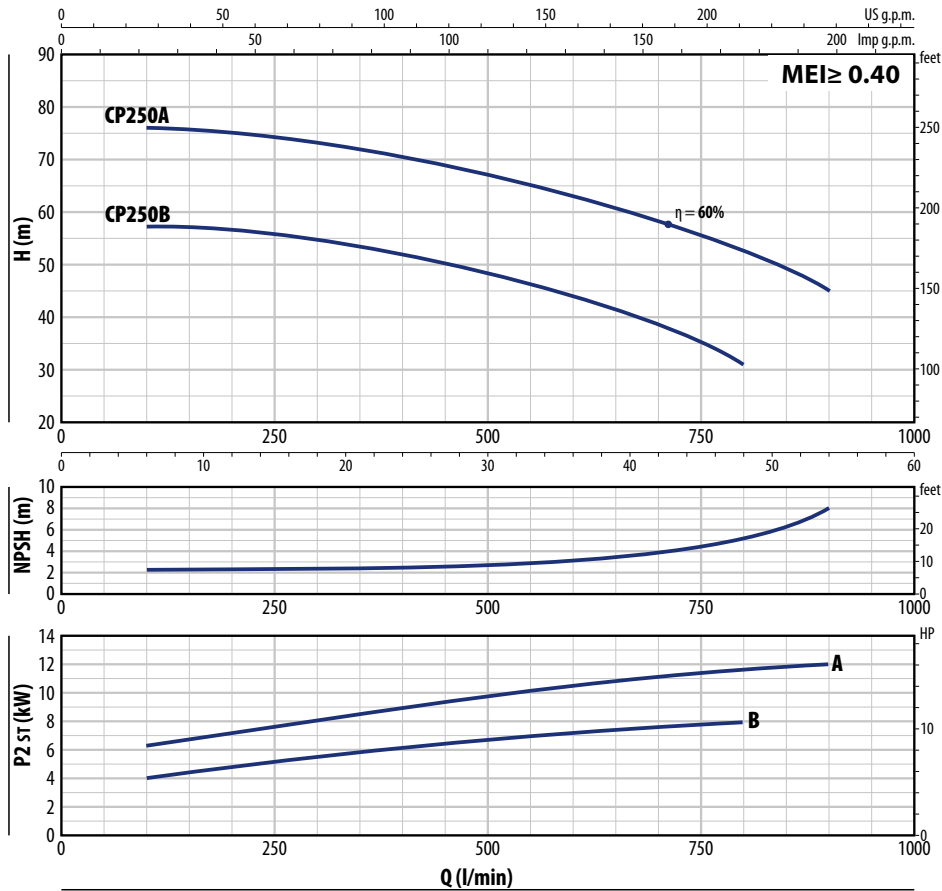
## CP 230

TYPE		POWER (P <sub>2</sub> )		3~	Q	H metres										
Three-phase		kW	HP			0	6	12	18	24	30	36	42	48	51	54
	CP 230C	3	4	IE3	l/min	0	100	200	300	400	500	600	700	800	850	900
	CP 230B	4	5.5			30	29.5	28.5	27	25	22	19.5	15.5	11.5	9	
	CP 230A	5.5	7.5			39	38.5	38	36	34	31	28	24	18.5	15	13
						46	45.5	44.5	42	40	37	32.5	27.5	21.5	18	15

Q = Flow rate H = Total manometric head HS = Suction height

Performance curves comply with EN ISO 9906 Grade 3B tolerance limits.

**CP 250**



**CP 250**

TYPE	POWER (P <sub>2</sub> )		3~	Q	Flow rate												
	kW	HP			0	6	12	18	24	30	36	42	48	54			
Three-phase				l/min	0	100	200	300	400	500	600	700	800	900			
CP 250B	7.5	10	IE3	H metres	57	57	56.5	54.5	52	48.5	44	38	31				
CP 250A	11	15		76	76	75	73.5	71	67.5	63	58	52	45				

Q = Flow rate H = Total manometric head HS = Suction height

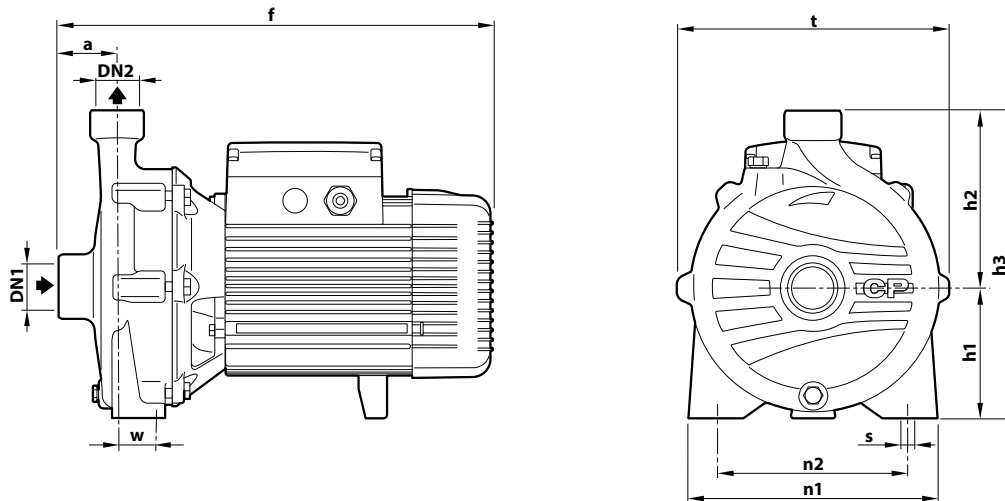
Performance curves comply with EN ISO 9906 Grade 3B tolerance limits.

**ABSORPTION**

TYPE	VOLTAGE
Single-phase	230 V
CPm 160C	8.5 A
CPm 160B	10.3 A
CPm 160A	13.0 A
CPm 220C	14.2 A

TYPE	VOLTAGE				
	Three-ph.	230 V - Δ	400 V - Δ	400 V - Δ	690 V - Δ
CP 160C	5.7 A	3.3 A	-	-	-
CP 160B	6.9 A	4.0 A	-	-	-
CP 160A	8.8 A	5.1 A	-	-	-
CP 210B	12.6 A	7.3 A	-	-	-
CP 210A	15.1 A	8.7 A	-	-	-
CP 220C	9.0 A	5.2 A	-	-	-
CP 220B	12.6 A	7.3 A	-	-	-
CP 220A	17.0 A	9.8 A	-	-	-
CP 220AH	-	-	11.5 A	6.6 A	-
CP 230C	13.1 A	7.6 A	-	-	-
CP 230B	16.8 A	9.7 A	-	-	-
CP 230A	-	-	11.5 A	6.6 A	-
CP 250B	-	-	15.0 A	8.7 A	-
CP 250A	-	-	22.5 A	13.0 A	-

**DIMENSIONS AND WEIGHT**



TYPE		PORTS		DIMENSIONS mm										kg				
Single-ph.	Three-ph.	DN1	DN2	a	f	h1	h2	h3	t	n1	n2	w	s	1~	3~			
<b>CPm 160C</b>	<b>CP 160C</b>	1½"	1"	54	370	110	150	260	-	206	165	44.5	11	18.7	18.8			
<b>CPm 160B</b>	<b>CP 160B</b>				390									20.0	20.0			
<b>CPm 160A</b>	<b>CP 160A</b>			60	454	132	180	312						274	205	35	22.7	22.9
-	<b>CP 210B</b>																-	33.8
-	<b>CP 210A</b>																-	37.2
<b>CPm 220C</b>	<b>CP 220C</b>	2"	2"	70	428	132	183	315	243	230	170	40	14	29.5	32.3			
-	<b>CP 220B</b>													-	34.2			
-	<b>CP 220A</b>													-	41.0			
-	<b>CP 220AH</b>			70	468	136	192	328	273	250	190	40		-	47.0			
-	<b>CP 230C</b>													-	37.2			
-	<b>CP 230B</b>													-	41.0			
-	<b>CP 230A</b>													-	46.0			
-	<b>CP 250B</b>			65	519	160	232	392	317	294	230	45		-	67.0			
-	<b>CP 250A</b>													-	98.0			

**PALLET CAPACITY**

TYPE		NO. OF PUMPS
Single-ph.	Three-ph.	
<b>CPm 160C</b>	<b>CP 160C</b>	50
<b>CPm 160B</b>	<b>CP 160B</b>	50
<b>CPm 160A</b>	<b>CP 160A</b>	35
-	<b>CP 210B</b>	18
-	<b>CP 210A</b>	18

TYPE		NO. OF PUMPS
Single-ph.	Three-ph.	
<b>CPm 220C</b>	<b>CP 220C</b>	18
-	<b>CP 220B</b>	18
-	<b>CP 220A</b>	18
-	<b>CP 220AH</b>	18
-	<b>CP 230C</b>	18
-	<b>CP 230B</b>	18
-	<b>CP 230A</b>	18
-	<b>CP 250B</b>	6
-	<b>CP 250A</b>	6

## CONSTRUCTION FEATURES

**1 Pump body** Cast iron with ISO 228/1 threaded ports

**2 Cover** Cast iron

**3 Impeller** Stainless steel for CP160  
Brass for CP 210, CP 220, CP 230  
Cast iron for CP 250

4 Mechanical seal	Pump	Seal	Shaft	Materials
	CP 160C-B-A	<b>FN-18</b>	Ø 18 mm	Graphite / Ceramic / NBR
	CP 220C	<b>FN-20</b>	Ø 20 mm	Graphite / Ceramic / NBR
	CP 210B-A			
	CP 220B-A-AH	<b>FN-24</b>	Ø 24 mm	Graphite / Ceramic / NBR
	CP 230C-B-A			
	CP 250B			
	CP 250A	<b>FN-32 NU</b>	Ø 32 mm	Graphite / Ceramic / NBR

**5 Motor shaft** Stainless steel **AISI 431**

**6 Electric motor** **CPm:** single-phase 230 V - 50 Hz.  
**CP:** three-phase 230/400 V - 50 Hz up to 4 kW.  
400/690 V - 50 Hz from 5.5 to 11 kW.  
※ Pumps are equipped with high-efficiency motors (IEC 60034-30-1)  
class **IE2** for single-phase models  
class **IE3** for three-phase models  
Continuous running duty **S1**

