

-  Clean water
-  Domestic use
-  Civil use



### PERFORMANCE RANGE

- Flow rate up to **70 l/min** (4.2 m<sup>3</sup>/h)
- Head up to **60 m**

### INSTALLATION AND USE

JCR self-priming pumps are designed to draw water and liquids that contain air.

They are reliable and easy to operate. They are a favorite for domestic use, particularly effective for water distribution with small to medium-sized pressure tanks and suitable for irrigation.

### APPLICATION LIMITS

- Manometric suction head up to **9 m** (HS)
- Liquid temperature between **-10 °C** and **+40 °C**
- Ambient temperature up to **+40 °C**
- Maximum working pressure **6 bar**

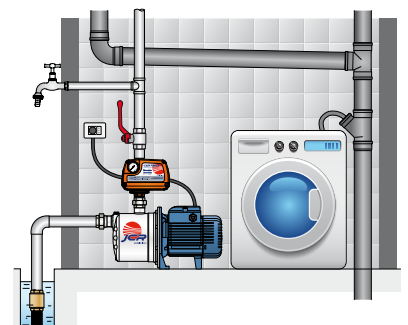
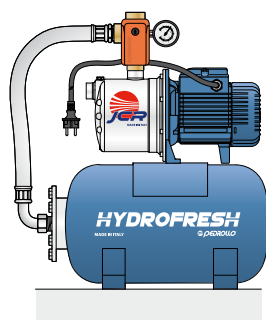
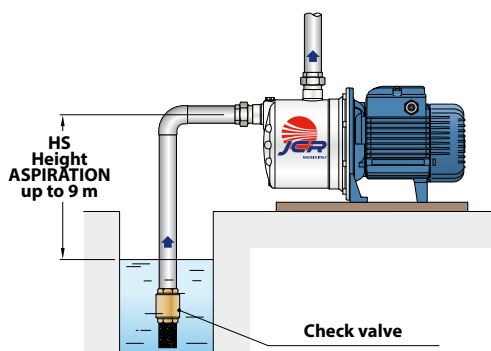
### AVAILABLE UPON REQUEST

- ✘ Different voltage requirements 60 Hz frequency
- ✘ Certified pumps 

### PATENTS - TRADE MARKS - MODELS

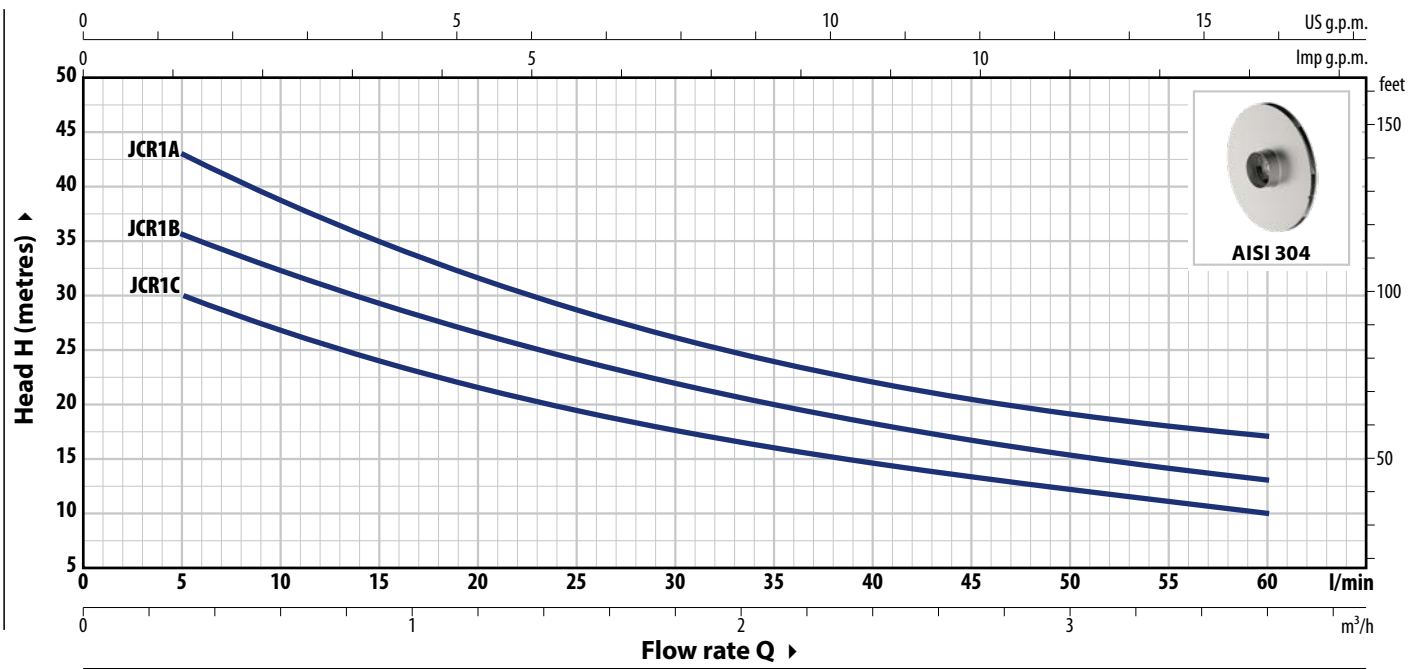
- European Patent No. 1 510 696

### EXAMPLES OF INSTALLATION

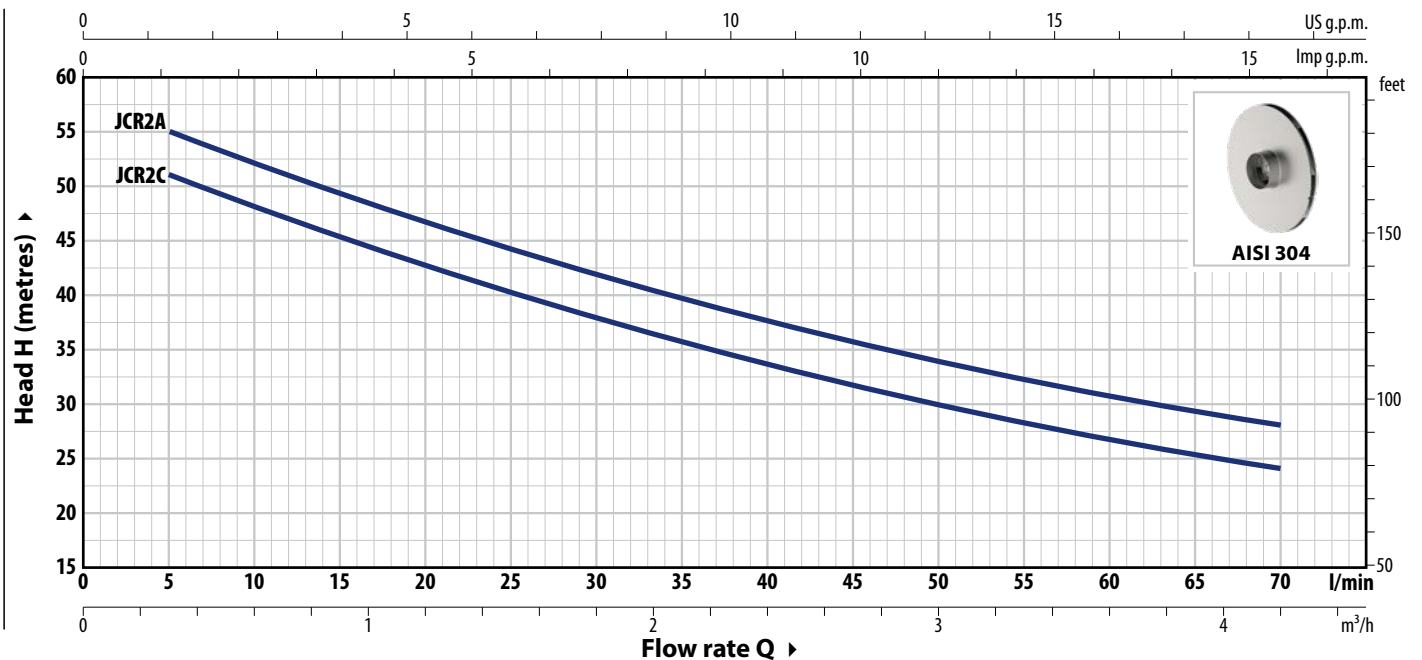


**CURVES AND PERFORMANCE DATA – HS=0 m**

**50 Hz**



TYPE		POWER (P <sub>2</sub> )		1~3~	Q	m <sup>3</sup> /h										
Single-ph.	Three-ph.	kW	HP			0	0.3	0.6	1.2	1.5	1.8	2.4	2.7	3.0	3.6	
						0	5	10	20	25	30	40	45	50	60	
JCRm 1C	JCR 1C	0.37	0.50	IE2 IE3	H metres	34	30	27	21.7	19.5	17.7	14.7	13.4	12.2	10	
JCRm 1B	JCR 1B	0.48	0.65			39.5	35.5	32.4	26.6	24.2	22	18.3	16.7	15.3	13	
JCRm 1A	JCR 1A	0.55	0.75			48	43	39	31.5	28.5	26	22	20.5	19	17	



TYPE		POWER (P <sub>2</sub> )		1~3~	Q	m <sup>3</sup> /h										
Single-ph.	Three-ph.	kW	HP			0	0.3	0.6	1.2	1.8	2.4	2.7	3.0	3.6	4.2	
						0	5	10	20	30	40	45	50	60	70	
JCRm 2C	JCR 2C	0.75	1	IE2 IE3	H metres	54	51	48	42.5	38	33.5	31.5	30	26.5	24	
JCRm 2A	JCR 2A	0.90	1.25			58	55	52	46.5	42	37.5	35.5	34	31	28	

Q = Flow rate H = Total manometric head HS = Suction height

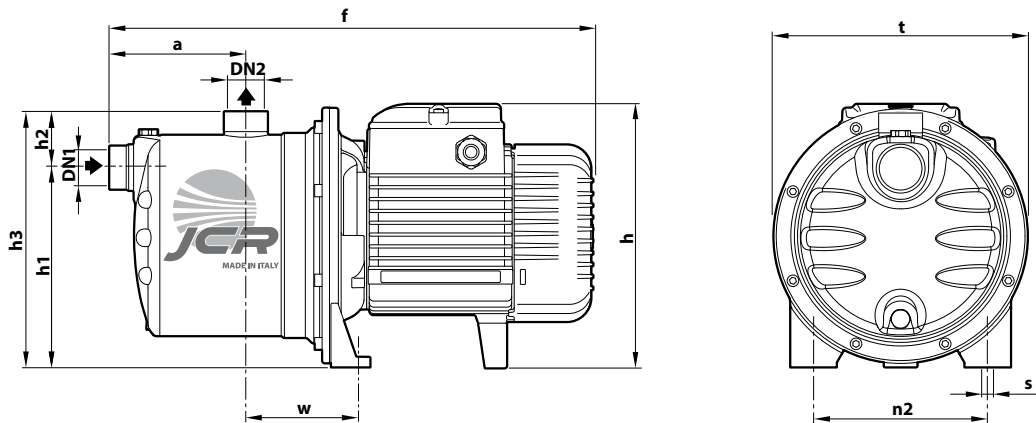
Performance curves comply with EN ISO 9906 Grade 3B tolerance limits.

### ABSORPTION

TYPE	VOLTAGE
<b>Single-ph.</b>	<b>230 V</b>
JCRm 1C	2.6 A
JCRm 1B	3.2 A
JCRm 1A	3.6 A
JCRm 2C	5.8 A
JCRm 2A	6.2 A

TYPE	VOLTAGE	
<b>Three-ph.</b>	<b>230 V - Δ</b>	<b>400 V - 人</b>
JCR 1C	1.7 A	1.0 A
JCR 1B	2.1 A	1.2 A
JCR 1A	2.8 A	1.6 A
JCR 2C	4.7 A	2.7 A
JCR 2A	5.2 A	3.0 A

### DIMENSIONS AND WEIGHT



TYPE		PORTS		DIMENSIONS mm										kg	
Single-ph.	Three-ph.	DN1	DN2	a	f	h	h1	h2	h3	t	n2	w	s	1~	3~
JCRm 1C	JCR 1C	1"	1"	113	367	183	132	51	183	182	120	87	9	7.1	7.1
JCRm 1B	JCR 1B													7.1	7.1
JCRm 1A	JCR 1A													7.8	7.1
JCRm 2C	JCR 2C	1"	1"	111	393	217 *	162	46	208	208	142	91	10	11.2	11.2
JCRm 2A	JCR 2A													12.0	11.2

(\*) h=236 mm for single-phase 110 V versions

### PALLET CAPACITY

TYPE		NO. OF PUMPS
Single-ph.	Three-ph.	
JCRm 1C	JCR 1C	84
JCRm 1B	JCR 1B	84
JCRm 1A	JCR 1A	84
JCRm 2C	JCR 2C	60
JCRm 2A	JCR 2A	60

## MATERIALS AND COMPONENTS

**1 Pump body** Stainless steel **AISI 304**, provided with ISO 228/1 threaded ports

**2 Cover** Stainless steel **AISI 304**

**3 Ejector unit** Noryl™

**4 Impeller** Stainless steel **AISI 304**

5 Mechanical seal	Water pump	Seal	Shaft	Materials
	JCR1	<b>AR-12</b>	Ø 12 mm	Ceramic / Graphite / NBR
JCR2	<b>AR-14</b>	Ø 14 mm	Ceramic / Graphite / NBR	

**6 Motor shaft** Stainless steel **AISI 431**

**7 Electric motor**

**JCRm:** single-phase 230 V - 50 Hz with winding integrated thermal motor protection  
**JCR:** three-phase 230/400 V - 50 Hz

※ Pumps are equipped with high-efficiency motors (IEC 60034-30-1)  
 class **IE2** for single-phase models  
 class **IE3** for three-phase models

- Continuous running duty **S1**
- Insulation: CLASS F
- Protection rating: IP X4

