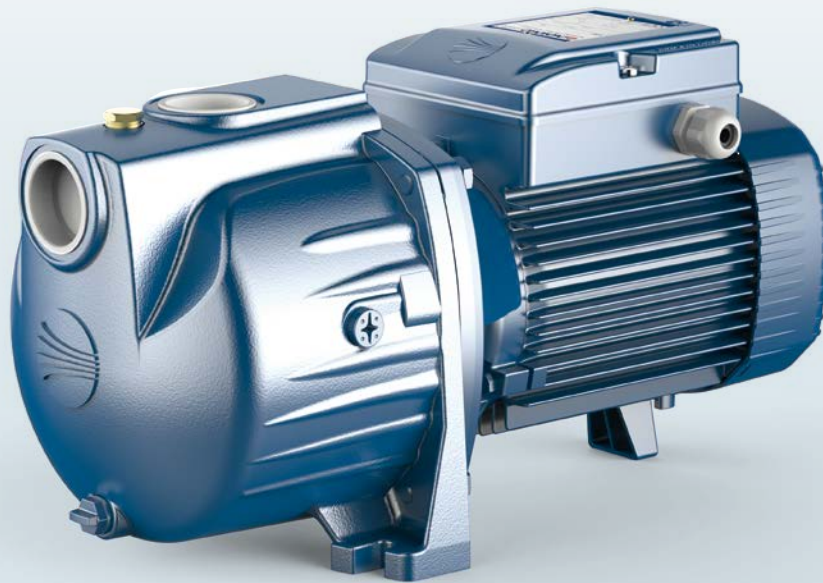


-  Clean water
-  Domestic use
-  Civil use



PERFORMANCE RANGE

- Flow rate up to **300 l/min** (18.0 m³/h)
- Head up to **25.5 m**

INSTALLATION AND USE

SPRINKLER, a versatile self-priming pump designed to effortlessly draw water, even when air is present in the liquid.

With its reliable performance and user-friendly operation, **SPRINKLER** is ideal for various applications, including domestic, civil, and irrigation.

ELECTRIC MOTOR

The three-phase pumps are equipped with newly developed electric motors designed to work with inverters, which guarantee stable and quiet operation.

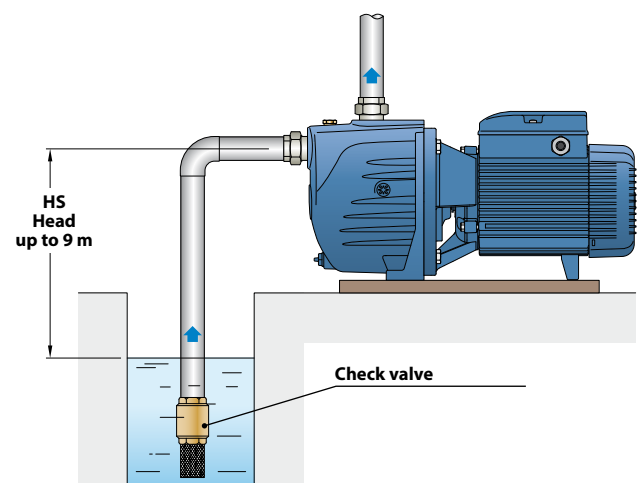
Efficiency class **IE3** for three-phase motors and **IE2** for single-phase motors, with class F insulation and IPX4 protection

APPLICATION LIMITS

- Manometric suction head up to **9 m (HS)**
- Liquid temperature between **-10 °C** and **+40 °C**
- Ambient temperature up to **+40 °C**
- Maximum working pressure **10 bar**

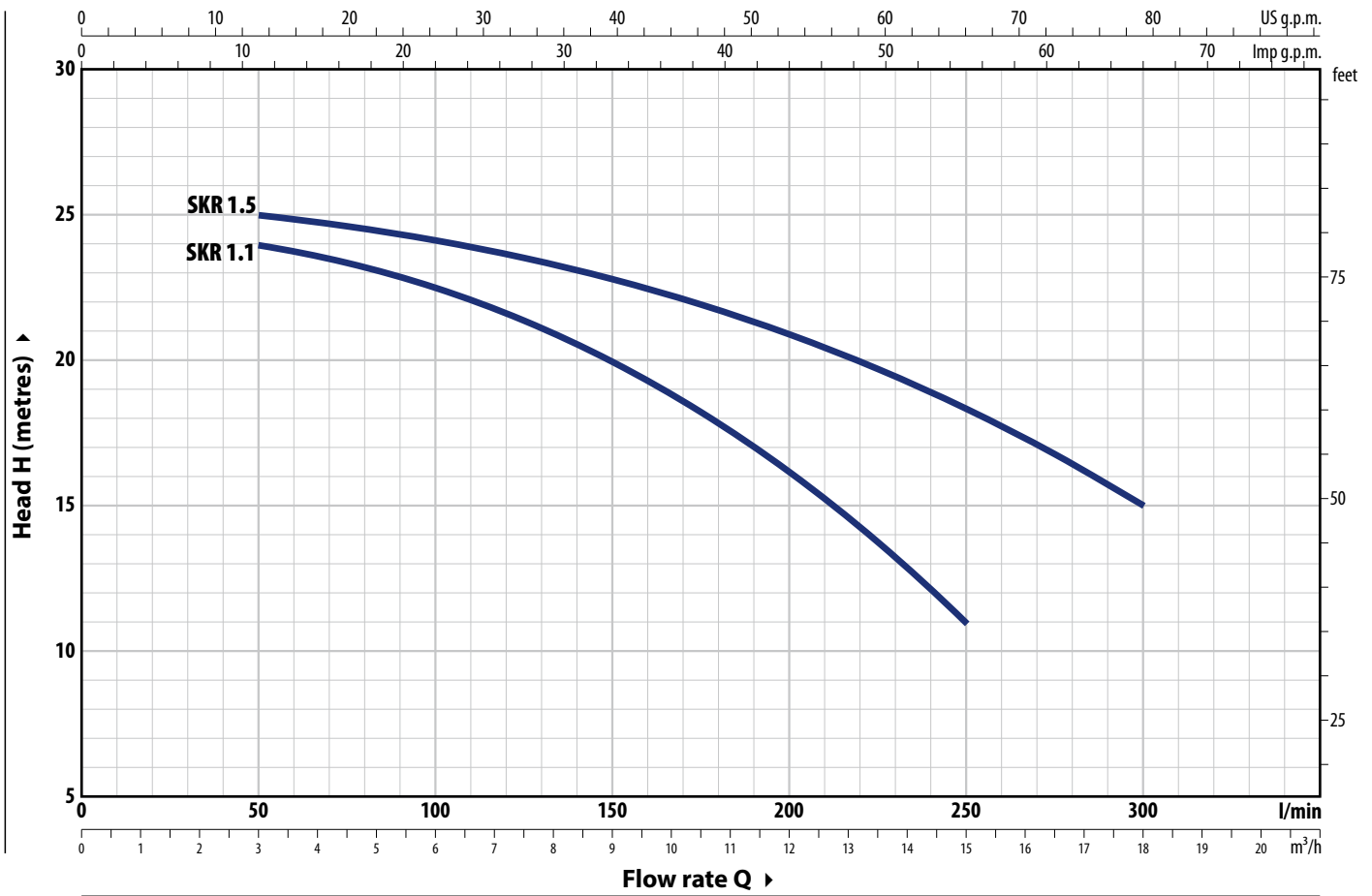
AVAILABLE UPON REQUEST

- ✘ IPX5 protection
- ✘ Other voltage and frequency 60 Hz



CURVES AND PERFORMANCE DATA – HS=0 m

50 Hz



TYPE		POWER (P ₂)		1~3~	Q	Q							
Single-ph.	Three-ph.	kW	HP			m³/h	0	3	6	9	12	15	18
SKRm 1.1	SKR 1.1	1.1	1.5	IE2	IE3	H metres	0	50	100	150	200	250	300
SKRm 1.5	SKR 1.5	1.5	2				24.5	24	22.5	20	16.3	11	
							25.5	25	24	22.7	20.8	18.2	15

Q = Flow rate H = Total manometric head HS = Suction height

Performance curves comply with EN ISO 9906 Grade 3B tolerance limits.

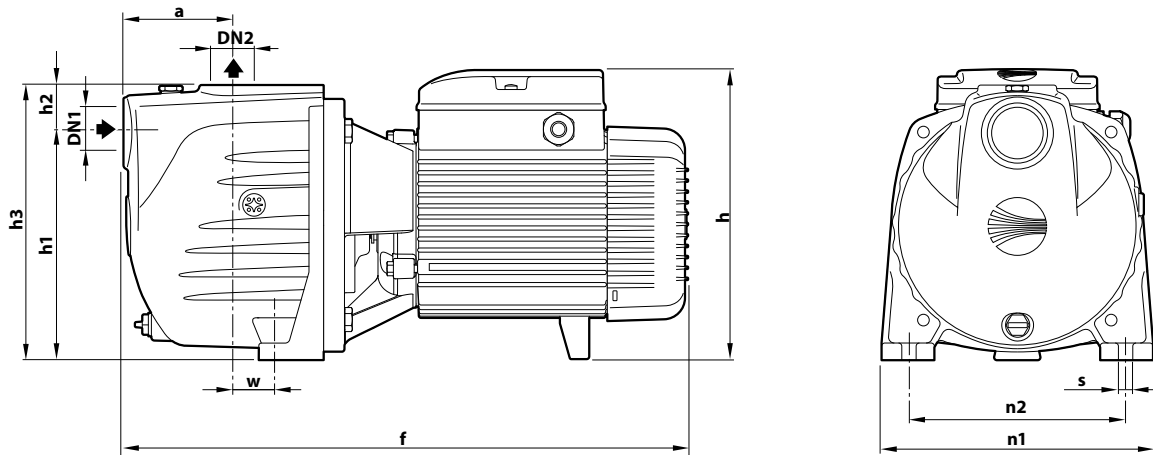


ABSORPTION

TYPE	VOLTAGE
Single-ph.	230 V
SKRm 1.1	7.5 A
SKRm 1.5	10.3 A

TYPE	VOLTAGE	
	230 V - Δ	400 V - 人
SKR 1.1	5.0 A	2.9 A
SKR 1.5	6.7 A	3.9 A

DIMENSIONS AND WEIGHT



TYPE		PORTS		DIMENSIONS mm										kg	
Single-ph.	Three-ph.	DN1	DN2	a	f	h	h1	h2	h3	n1	n2	w	s	1~	3~
SKRm 1.1	SKR 1.1	1½"	1½"	91	465	241	186	39	225	223	178	37.5	11	24.5	24.5
SKRm 1.5	SKR 1.5													25.8	25.8

PALLET CAPACITY

TYPE		NO. OF PUMPS
Single-ph.	Three-ph.	
SKRm 1.1	SKR 1.1	35
SKRm 1.5	SKR 1.5	35

MATERIALS AND COMPONENTS

1 Pump body Cast iron with cathaphoresis treatment, provided with ISO 228/1 threaded ports

2 Cover Cast iron with cathaphoresis treatment

3 Diffuser Noryl™

4 Impeller Noryl™

5 Mechanical seal	Seal	Shaft	Materials
	FN-18	Ø 18 mm	Graphite / Ceramic / NBR

6 Motor shaft Stainless steel **AISI 431**

7 Electric motor **SKRm**: single-phase 230 V - 50 Hz with winding integrated thermal motor protection
SKR: three-phase 230/400 V - 50 Hz
 ※ Pumps are equipped with high-efficiency motors (IEC 60034-30-1)
 class **IE2** for single-phase models
 class **IE3** for three-phase models
 Continuous running duty **S1**

