



※ **PLURIJET high-efficiency pumps with stainless steel impellers are as essential as water. Thanks to their reliability, quiet operation, and cost-effectiveness, they provide the best and most effective solution for your domestic needs.**

### ※ **VERSATILE**

PLURIJET pumps are designed to handle any domestic water task with ease. With exceptional suction capacity, they can prime up to 9 metres deep, making them perfect for any household water requirement.

### ※ **EFFICIENT**

Get the job done efficiently with PLURIJET pumps. Their high hydraulic efficiency means they consume significantly less electricity compared to self-priming JET pumps, en-

suring you have all the water you need without draining your power supply.

### ※ **SILENT**

Featuring multi-cellular hydraulics for maximum pressure with minimal power consumption, these pumps operate with significantly reduced noise levels, ensuring a quiet performance.

### **PERFORMANCE RANGE**

- Flow rate up to **130 l/min** (7.8 m<sup>3</sup>/h)
- Head up to **52 m**

### **INSTALLATION AND USE**

Designed to transfer clean water free from abrasive particles and safe liquids that will not damage any of the pump's components. Highly reliable and quiet, they are suitable for domestic applications.

They work seamlessly with small to medium-sized pressure tanks, offering an ideal setup for all irrigation requirements.

### **ELECTRIC MOTOR**

The three-phase pumps are equipped with newly developed electric motors designed to work with inverters, which guarantee stable and quiet operation.

50 Hz | PLURIJET 90-120

Efficiency class **IE3** for three-phase motors and **IE2** for single-phase motors, with class F insulation and IPX4 protection.

### **APPLICATION LIMITS**

- Manometric suction head up to **9 m** (HS)
- Liquid temperature between **-10 °C** and **+60 °C**
- Ambient temperature up to **+40 °C**
- Maximum working pressure **6 bar**

### **AVAILABLE UPON REQUEST**

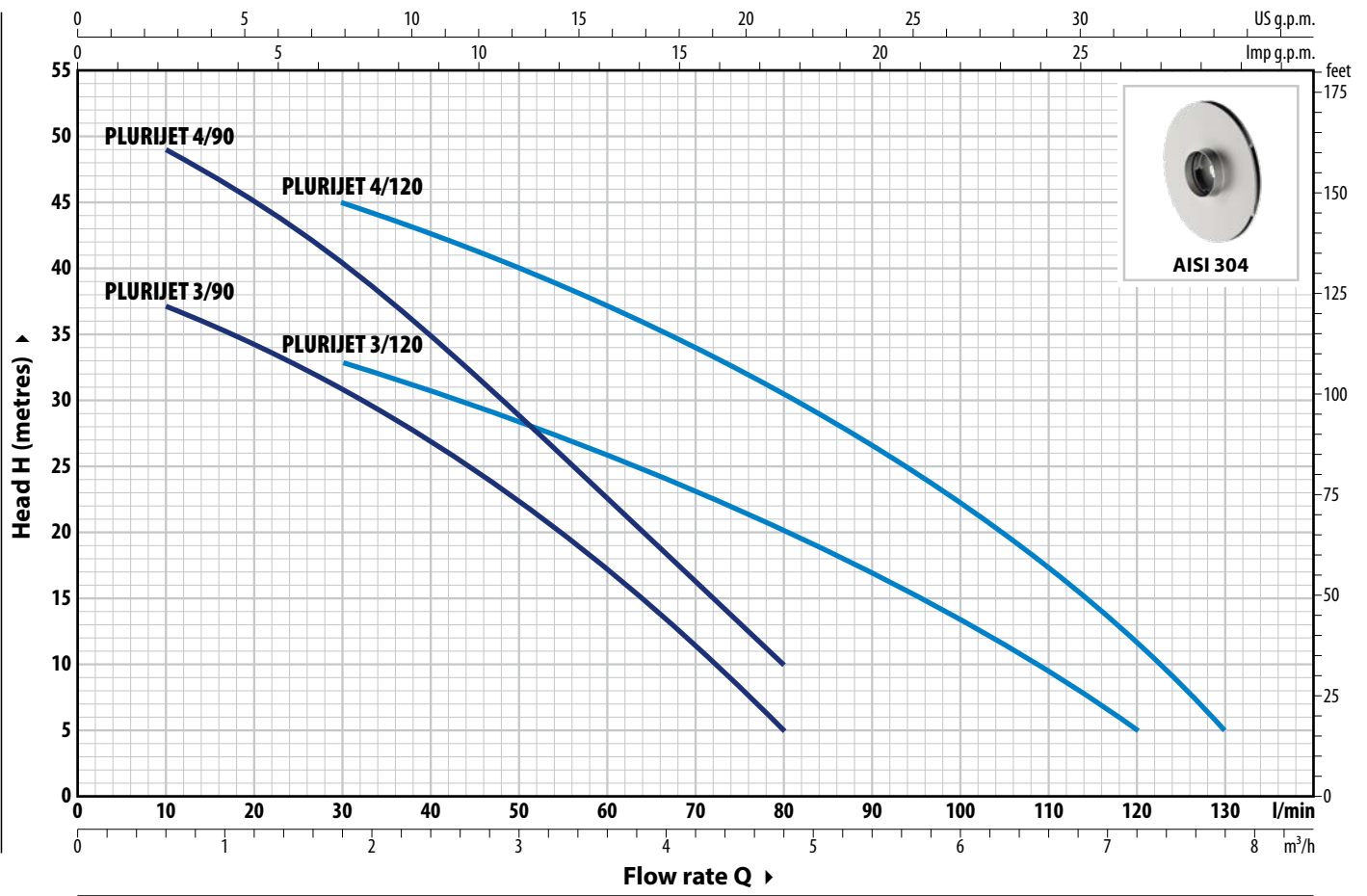
- ※ Mechanical seal options available
- ※ Different voltage requirements 60 Hz frequency

### **PATENTS - TRADE MARKS - MODELS**

- **PLURIJET**®Registered trademark No. 3974301
- Patent Pending No. 102023000019836

**CURVES AND PERFORMANCE DATA – HS=0 m**

**50 Hz**

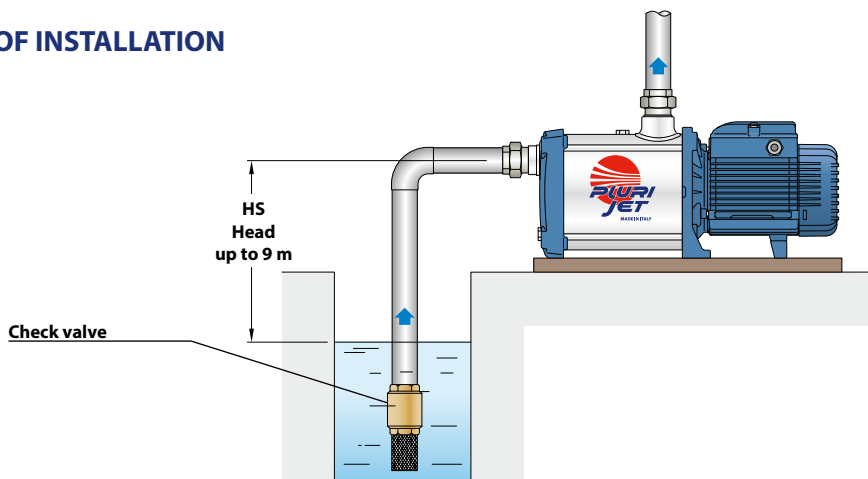


TYPE		POWER (P <sub>2</sub> )		1~3~	Q	m³/h																	
Single-phase	Three-phase	kW	HP			0	0.3	0.6	1.2	1.8	2.4	3.0	3.6	4.2	4.8	5.4	6.0	6.6	7.2	7.8			
						0	5	10	20	30	40	50	60	70	80	90	100	110	120	130			
PLURIJETm 3/90	PLURIJET 3/90	0.48	0.65	IE2 IE3	H metres	40	38	37	34.5	31	27	22.5	17	11	5								
PLURIJETm 4/90	PLURIJET 4/90	0.55	0.75			52	50	49	44.5	40	34	28.5	22.5	16	10								
PLURIJETm 3/120	PLURIJET 3/120	0.55	0.75			38	37	36	34.5	33	31	28	26	23	20	17	13.5	10	5				
PLURIJETm 4/120	PLURIJET 4/120	0.75	1			50	50	49	47	45	42	39.5	37	34	30.5	26.5	22	17	11	5			

Q = Flow rate H = Total manometric head HS = Suction height

Performance curves comply with EN ISO 9906 Grade 3B tolerance limits.

**EXAMPLE OF INSTALLATION**

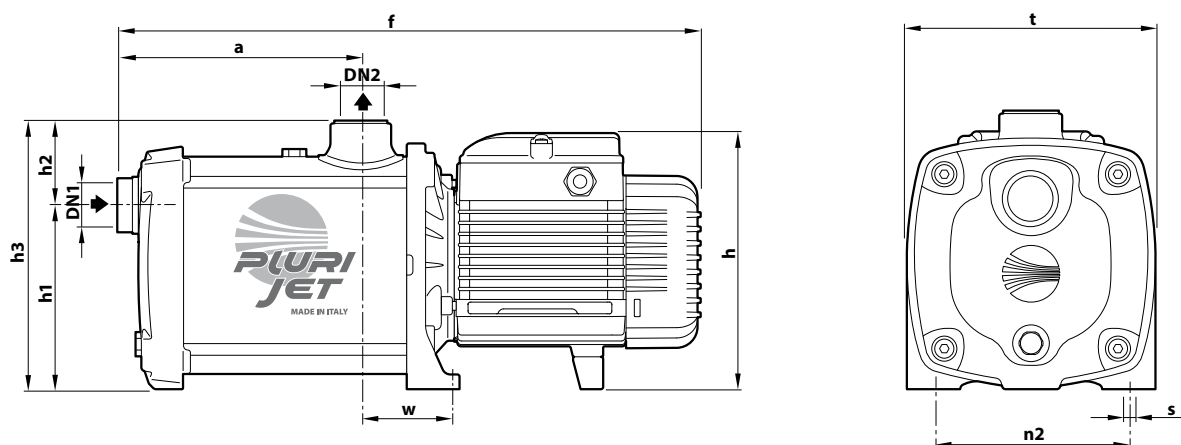


### ABSORPTION

TYPE	VOLTAGE
<b>Single-phase</b>	<b>230 V</b>
<b>PLURIJETm 3/90</b>	3.2 A
<b>PLURIJETm 4/90</b>	3.9 A
<b>PLURIJETm 3/120</b>	3.9 A
<b>PLURIJETm 4/120</b>	5.8 A

TYPE	VOLTAGE	
	<b>230 V - Δ</b>	<b>400 V - ƿ</b>
<b>PLURIJET 3/90</b>	2.2 A	1.3 A
<b>PLURIJET 4/90</b>	2.9 A	1.7 A
<b>PLURIJET 3/120</b>	2.9 A	1.7 A
<b>PLURIJET 4/120</b>	4.0 A	2.3 A

### DIMENSIONS AND WEIGHT



TYPE		PORTS		DIMENSIONS mm											kg	
Single-phase	Three-phase	DN1	DN2	a	f	h	h1	h2	h3	t	n2	w	s	1~	3~	
<b>PLURIJETm 3/90</b>	<b>PLURIJET 3/90</b>	<b>1"</b>	<b>1"</b>	132	358	171	122	56	178	160	125	56.5	9	8.4	8.4	
<b>PLURIJETm 4/90</b>	<b>PLURIJET 4/90</b>			157	383									9.7	9.0	
<b>PLURIJETm 3/120</b>	<b>PLURIJET 3/120</b>			132	358	9.2								8.5		
<b>PLURIJETm 4/120</b>	<b>PLURIJET 4/120</b>			157	402	189								12.2	12.2	

(\*) h=221 mm for single-phase 110 V versions

## MATERIALS AND COMPONENTS

<b>1 Pump body</b>	Stainless steel <b>AISI 304</b> , provided with ISO 228/1 threaded ports		
<b>2 Cover</b>	Stainless steel <b>AISI 304</b>		
<b>3 Impellers</b>	Stainless steel <b>AISI 304</b>		
<b>4 Diffusers</b>	Noryl™ complete with wear rings		
<b>5 Mechanical seal</b>	Seal	Shaft	Materials
	<b>AR-13</b>	Ø 13 mm	Ceramic / Graphite / NBR
<b>6 Motor shaft</b>	Stainless steel <b>AISI 431</b>		
<b>7 Electric motor</b>	<p><b>PLURIJETm</b>: single-phase 230 V - 50 Hz with winding integrated thermal motor protection</p> <p><b>PLURIJET</b>: three-phase 230/400 V - 50 Hz</p> <p>※ Pumps are equipped with high-efficiency motors (IEC 60034-30-1)</p> <p>class <b>IE2</b> for single-phase models</p> <p>class <b>IE3</b> for three-phase models</p> <p>Continuous running duty <b>S1</b></p>		

