

-  Clean water
-  Domestic use
-  Civil use



TOP MULTI 1



TOP MULTI 2-3-4-5

PERFORMANCE RANGE

- Flow rate up to **120 l/min** (7.2 m³/h)
- Head up to **52 m**

INSTALLATION AND USE

TOPMULTI® pumps are designed to transfer **clean water** free from abrasive particles and liquids that will not damage the pump's components. Efficient and reliable, they are ideal for domestic applications involving tanks, reservoirs, and deep wells. They are also perfect for collecting rainwater from water tanks (rain barrels) for manual watering or irrigation systems.

APPLICATION LIMITS

- Maximum operating depth below water level:
 - up to **3 m** for TOP MULTI 1
 - up to **10 m** for TOP MULTI 2-3-4-5 (with an appropriately sized power cable)
- Liquid temperature up to **+40 °C**
- Draining capability:
 - up to **25 mm** from the bottom for TOP MULTI 1
 - up to **35 mm** from the bottom for TOP MULTI 2-3-4-5

INCLUDES

- ✳ Power cable length **10 m**
- ✳ Float switch
- ✳ Anti-vibration feet
- ✳ Hose connector **Ø 35 mm**
- ✳ Sleeve with clapet valve (for TOP MULTI 2-3-4-5)



PATENTS - TRADE MARKS - MODELS

- Registered Community Model No. 000885587 for TOP MULTI 2-3-4-5
- TOP MULTI® Registered trademark No. 0001334477

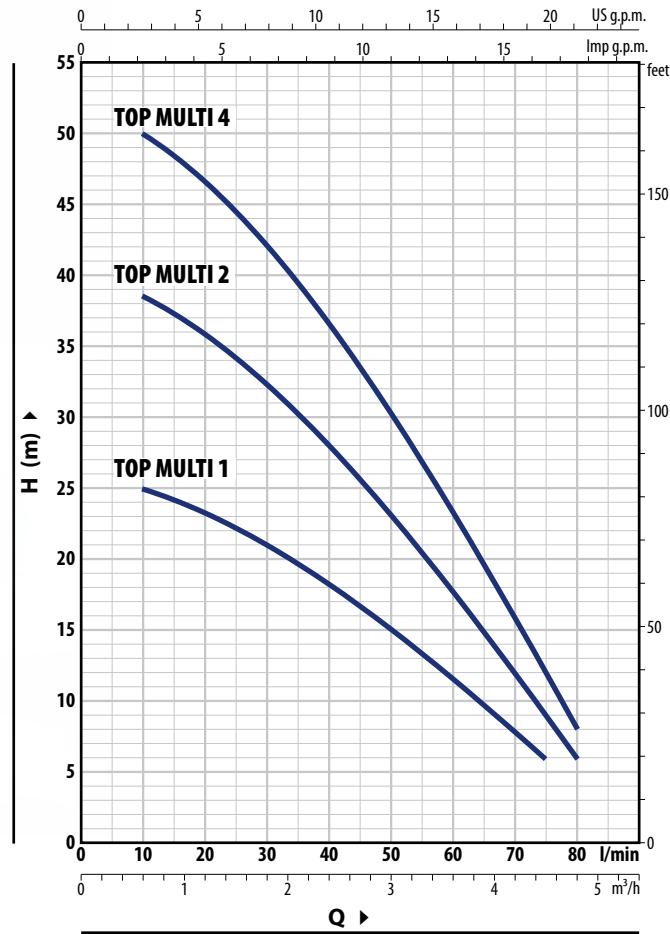
AVAILABLE UPON REQUEST

- ✳ Different voltage requirements 60 Hz frequency

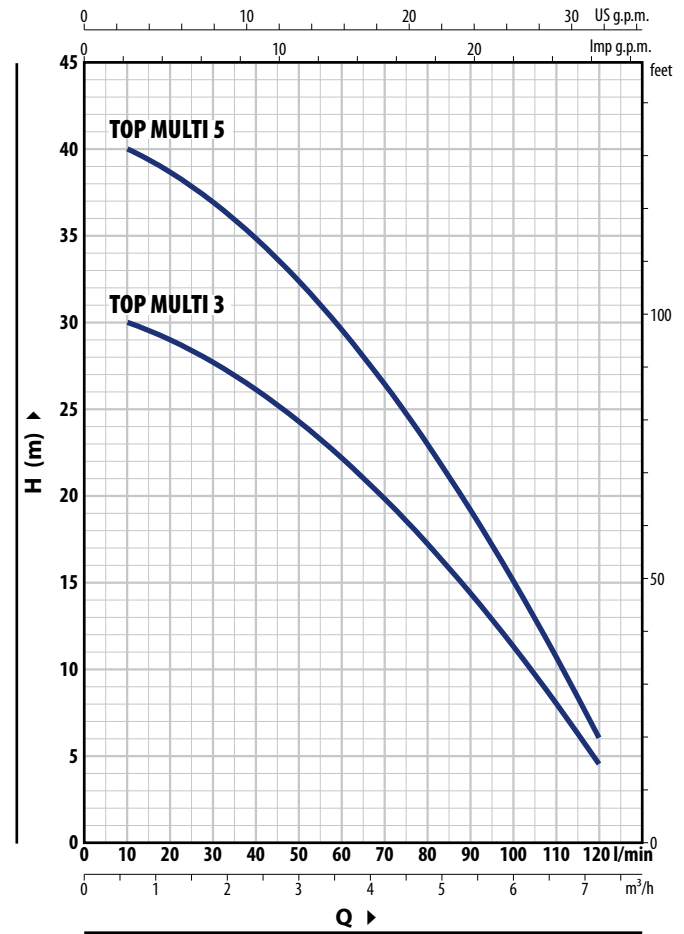
CURVES AND PERFORMANCE DATA

50 Hz

TOP MULTI 1 - 2 - 4



TOP MULTI 3 - 5



TOP MULTI 1 - 2 - 4

TYPE	POWER (P ₂)		Q	Flow rate												
	kW	HP		m ³ /h	0	0.6	1.2	1.8	2.4	3.0	3.6	4.2	4.5	4.8		
Single-phase			l/min	0	10	20	30	40	50	60	70	75	80			
TOP MULTI 1	0.37	0.50	H metres	26	25	23.3	21	18.3	15	11.6	8	6				
TOP MULTI 2	0.55	0.75		40	38.5	36	32.5	28	23	17.7	12	9	6			
TOP MULTI 4	0.75	1		52	50	46.5	42	36.5	30.5	23.3	15.8	12	8			

TOP MULTI 3 - 5

TYPE	POWER (P ₂)		Q	Flow rate													
	kW	HP		m ³ /h	0	0.6	1.2	1.8	2.4	3.0	3.6	4.2	4.8	5.4	6.0	6.6	7.2
Single-phase			l/min	0	10	20	30	40	50	60	70	80	90	100	110	120	
TOP MULTI 3	0.55	0.75	H metres	30.5	30	29	27.5	26	24.3	22.2	19.8	17.2	14.4	11.3	8	4.5	
TOP MULTI 5	0.75	1		41	40	38.5	37	35	32.5	29.5	26.5	23	19.2	15	10.7	6	

Q = Flow rate H = Total manometric head

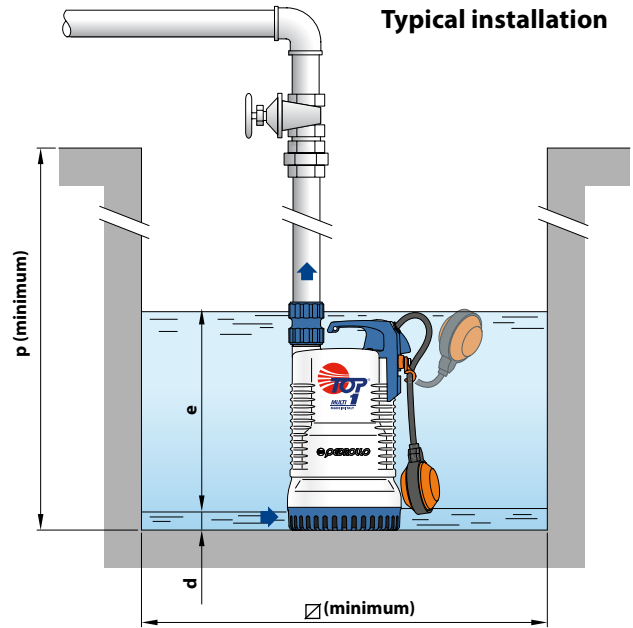
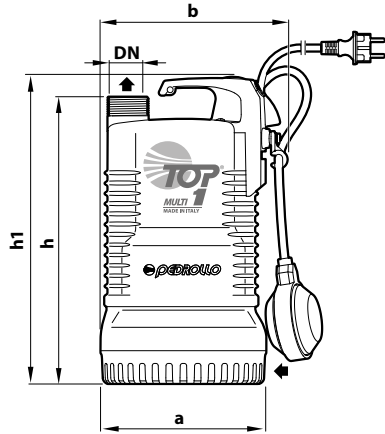
Performance curves comply with EN ISO 9906 Grade 3B tolerance limits.

ABSORPTION

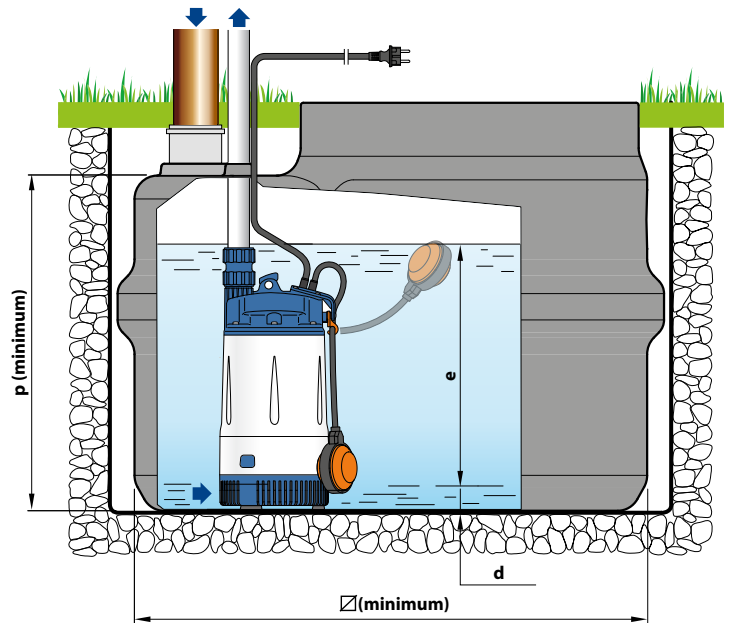
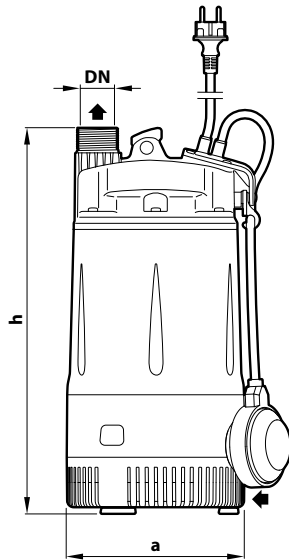
TYPE	VOLTAGE
Single-phase	230 V
TOP MULTI 1	2.0 A
TOP MULTI 2	3.4 A
TOP MULTI 3	3.6 A
TOP MULTI 4	3.9 A
TOP MULTI 5	3.9 A

DIMENSIONS AND WEIGHT

TOP MULTI 1



TOP MULTI 2-3-4-5





TYPE	PORT DN	NO. STAGES	DIMENSIONS mm								kg
			a	b	h	h1	d	e	p	∅	
TOP MULTI 1	1 1/4"	2	170	192	295	315	25	adjustable	350	350	6.9
TOP MULTI 2		3	178	-	380	-	35		500	500	9.3
TOP MULTI 3		4			415			10.4			
TOP MULTI 4		10.5									
TOP MULTI 5		10.5									

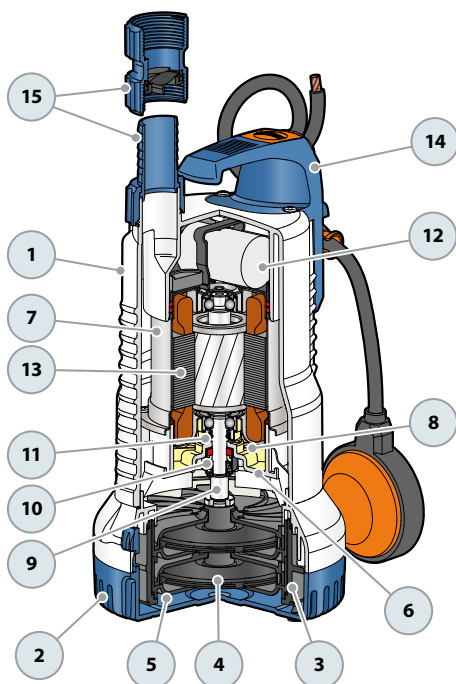
PALLET CAPACITY

TYPE	NO. OF PUMPS
TOP MULTI 1	60
TOP MULTI 2	60
TOP MULTI 3	60
TOP MULTI 4	60
TOP MULTI 5	60

TOP MULTI 1



MATERIALS AND COMPONENTS

1 Pump body	Technopolymer
2 Suction filter	Technopolymer
3 Containment stages	Technopolymer
4 Impellers	Noryl™
5 Diffusers and stage boxes	Noryl™
6 Diffuser vanes	Technopolymer
7 Motor sleeve	Stainless steel AISI 304
8 Motor cover	Stainless steel AISI 304
9 Motor shaft	Stainless steel AISI 431
10 Mechanical seal	STA-12R Ceramic/Graphite/NBR
11 Shaft seal	Ø 12 x Ø 19 x H 5 mm
12 Capacitor	
13 Electric motor	
14 Handle group Including: - Float switch - Power cable with Schuko plug	
15 Ferrule and hose nozzle	
Sleeve With built-in clapet valve	



TOP MULTI 2-3-4-5

MATERIALS AND COMPONENTS

1 Delivery port	Technopolymer
2 Pump body	Technopolymer
3 Suction filter	Technopolymer
4 Diffuser vanes	Technopolymer
5 Motor sleeve	Stainless steel AISI 304
6 Impellers	Noryl™
7 Diffusers and stage boxes	Noryl™
8 Motor shaft	Stainless steel AISI 431
9 Double mechanical seal STA-13R Motor side Ceramic/Graphite/NBR STA-13R SIC Pump side SIC/Graphite/NBR	
10 Capacitor	
11 Electric motor	
12 Power cable with Schuko plug	
13 Float switch	
14 Ferrule and hose nozzle	
Sleeve With built-in clapet valve	
15 Anti-vibration feet	

