



Sewage



Civil use



Industrial use

※ **High quality materials and robustness assure superior performance and reliability**



PERFORMANCE RANGE

- Flow rate up to **1250 l/min** (75 m³/h)
- Head up to **20 m**

INSTALLATION AND USE

The **VXC-F** series is constructed from thick cast iron, offering exceptional robustness, abrasion resistance, and longevity.

Featuring VORTEX-type impellers, these pumps are designed to drain **wastewater, sludge-mixed water, liquids with air or gas, as well as activated and putrid sludge.**

Recommended for stationary installation in sewers, tunnels, shafts, underground parking facilities, and specialized manholes.

APPLICATION LIMITS

- Depth below water level up to **10 m** (with an appropriately sized power cable)
- Liquid temperature up to **+40 °C**
- Suspended solids transfer:
 - up to **Ø 50 mm** for **VXC /50-F**
 - up to **Ø 65 mm** for **VXC /65-F**
- **Continuous operation of the pump even when completely uncovered.**

INCLUDES

- ※ Power cable length **10 m**
- ※ Float switch (exclusive to single-phase models)
- ※ Switchbox compatible with single-phase versions

AVAILABLE UPON REQUEST

- ※ Coupling foot kit
- ※ **QES** control panel for three-phase pumps
- ※ Different voltage requirements 60 Hz frequency

WARRANTY

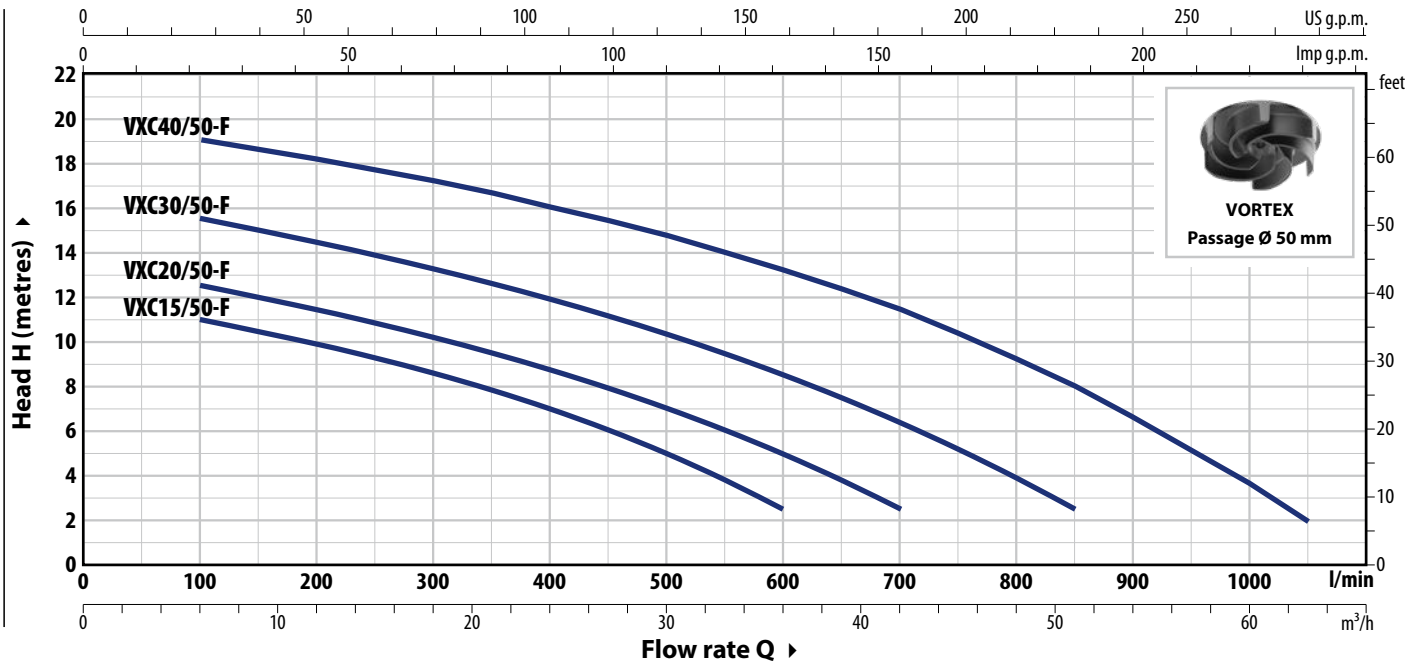
- ※ **The warranty for three-phase models remains valid only if the motor's built-in thermal protector is properly connected to the control panel. This connection is essential for the warranty's applicability.**

PATENTS - TRADE MARKS - MODELS

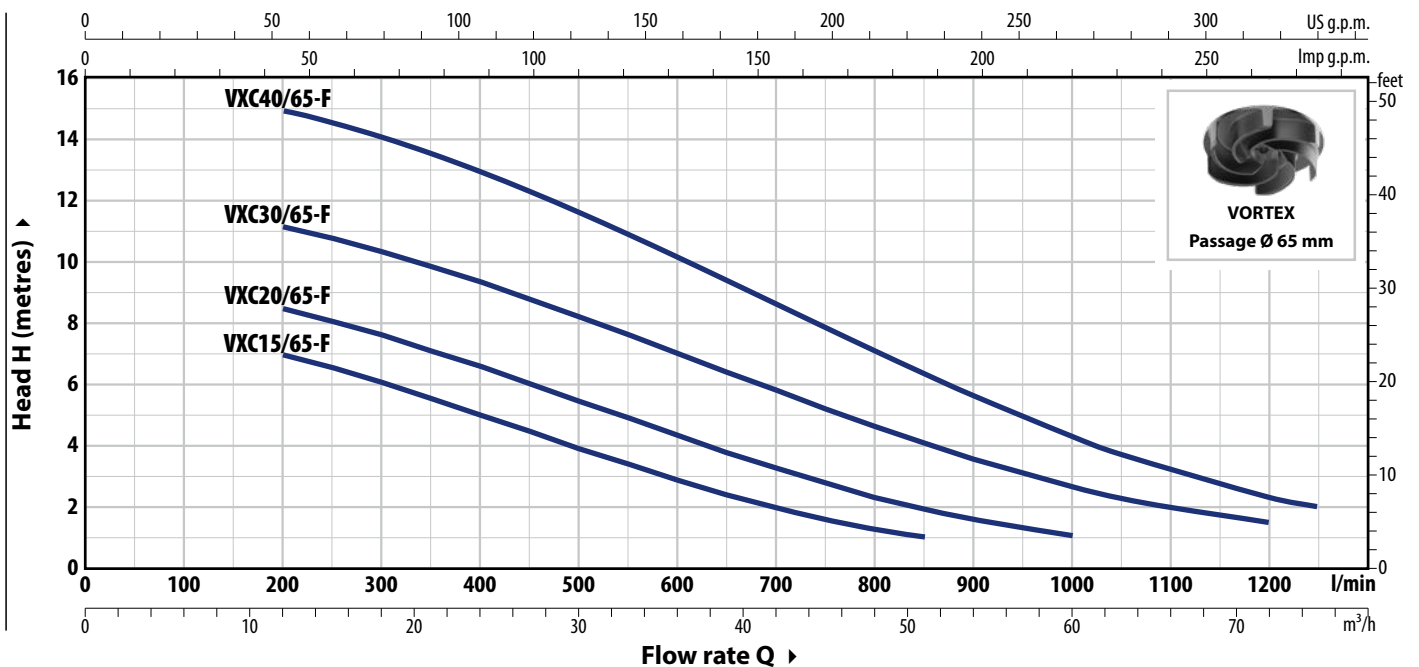
- Patent No. IT0001428923

CURVES AND PERFORMANCE DATA

50 Hz



TYPE		POWER (P ₂)		Q	Flow rate												
Single-phase	Three-phase	kW	HP		m ³ /h	0	6	12	18	24	30	36	42	51	60	63	
VXcM 15/50-F	VXC 15/50-F	1.1	1.5	H metres	0	100	200	300	400	500	600	700	850	1000	1050		
VXcM 20/50-F	VXC 20/50-F	1.5	2		12	11	10	8.6	7	5	2.5						
VXcM 30/50-F	VXC 30/50-F	2.2	3		13.5	12.5	11.4	10.2	8.7	7	5	2.5					
-	VXC 40/50-F	3	4		16.5	15.5	14.4	13.2	12	10.3	8.5	6.4	2.5				
					20	19	18	17	16	14.7	13.2	11.4	8	3.6	2		



TYPE		POWER (P ₂)		Q	Flow rate												
Single-phase	Three-phase	kW	HP		m ³ /h	0	12	24	36	42	51	60	63	72	75		
VXcM 15/65-F	VXC 15/65-F	1.1	1.5	H metres	0	200	400	600	700	850	1000	1050	1200	1250			
VXcM 20/65-F	VXC 20/65-F	1.5	2		8	7	5	2.8	2	1							
VXcM 30/65-F	VXC 30/65-F	2.2	3		9.5	8.5	6.6	4.3	3.3	2	1						
-	VXC 40/65-F	3	4		12	11	9.3	7	5.8	4	2.6	2.3	1.5				
					15.5	15	13	10	8.6	6.3	4.3	3.7	2.3	2			

Q = Flow rate H = Total manometric head

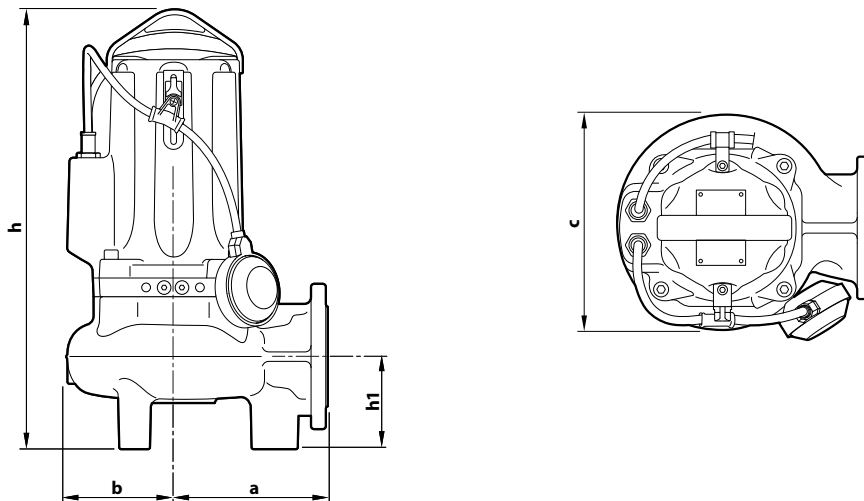
Performance curves comply with EN ISO 9906 Grade 3B tolerance limits.

ABSORPTION

TYPE	VOLTAGE
Single-phase	230 V
VXCm 15/50-F	8.5 A
VXCm 20/50-F	9.0 A
VXCm 30/50-F	12.0 A
VXCm 15/65-F	8.5 A
VXCm 20/65-F	9.0 A
VXCm 30/65-F	12.0 A

TYPE	VOLTAGE
Three-phase	400 V
VXC 15/50-F	3.4 A
VXC 20/50-F	3.7 A
VXC 30/50-F	5.0 A
VXC 40/50-F	6.2 A
VXC 15/65-F	3.4 A
VXC 20/65-F	3.7 A
VXC 30/65-F	5.0 A
VXC 40/65-F	6.2 A

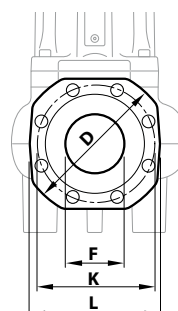
DIMENSIONS AND WEIGHT



TYPE		Passage of solid bodies	DIMENSIONS mm					kg	
Single-phase	Three-phase		a	b	c	h	h1	1~	3~
VXCm 15/50-F	VXC 15/50-F	50 mm	170	119	242	487	102	43.6	42.0
VXCm 20/50-F	VXC 20/50-F					513 487		44.6	43.3
VXCm 30/50-F	VXC 30/50-F					513		49.5	45.5
-	VXC 40/50-F					513		-	50.0
VXCm 15/65-F	VXC 15/65-F	65 mm	210	120	246	521	123	46.0	44.7
VXCm 20/65-F	VXC 20/65-F					547 521		47.1	46.0
VXCm 30/65-F	VXC 30/65-F					547		51.8	48.0
-	VXC 40/65-F					547		-	51.8

PORT FLANGE

TYPE	FLANGE	F	K	D	L	HOLES	
						N°	Ø (mm)
VXC /50-F	DN65 (PN10)	2½"	145	185	160	4	18
VXC /65-F	DN80 (PN10)	3"	160	200	180	8	18



MATERIALS AND COMPONENTS

1 Pump body	Cast iron with cathoporesis treatment with flanged and threaded ISO 228/1 port		
2 Impeller	Cast iron VORTEX type with cathoporesis treatment		
3 Motor holder	Cast iron with cathoporesis treatment		
4 Motor bracket	Cast iron with cathoporesis treatment		
5 Motor shaft	Stainless steel AISI 431		
6 Double mechanical seal with interposed oil chamber			
Seal	Shaft	Location	Materials
STA-22	Ø 22 mm	Motor side	Ceramic / Graphite / NBR
STA-20	Ø 20 mm	Pump side	Silicon carbide/Silicon carbide/NBR

7 Electric Motor

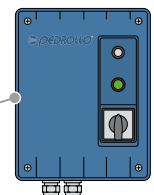
VXCm-F: single-phase 230 V - 50 Hz
with thermal motor protection

VXC-F: three-phase 400 V - 50 Hz

✘ with winding integrated thermal motor protection (to be connected to the switchboard supplied on request)

- Insulation: class F
- Protection rating: IP X8

Power switchboard
(standard for single-phase versions)



8 Power cord

✘ 10 metres 'H07 RN-F' type

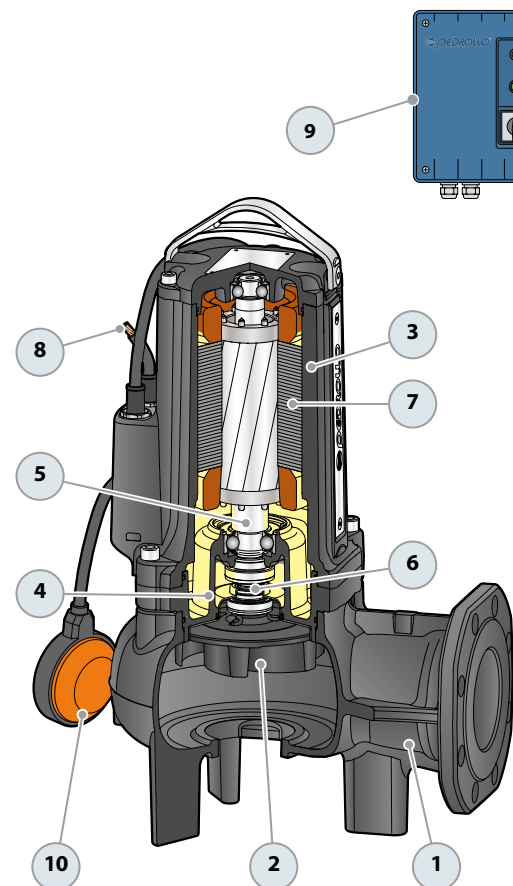
9 Switchboard

(exclusive to single-phase models)

With capacitor and manual reset motor protection switch

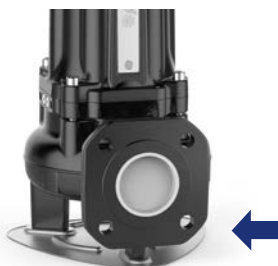
10 Float switch

(exclusive to single-phase models)



OPTIONAL - Support base

(Cod. ASSBAVM)



SEWAGE LIFTING SYSTEM VXC-F - MC-F

VERSION WITH HORIZONTAL DELIVERY AND 3/4" GUIDE PIPES

For VXC /50-F, MC /50-F	Code ASSVXCF051	DN 2"
-------------------------	-----------------	-------

※ Kit consisting of:



Coupling foot



Slide rail with screws and gasket



Support for guide tubes



VERSION WITH VERTICAL DELIVERY AND 3/4" GUIDE PIPES

For VXC /50-F, MC /50-F	Code ASSVXCF051V	DN 2 1/2"
For VXC /65-F, MC /65-F	Code ASSVXCF071V	DN 3"

VERSION WITH VERTICAL DELIVERY AND 2" GUIDE TUBES

For VXC /50-F, MC /50-F	Code ASSVXCF0704V	DN 3"
For VXC /65-F, MC /65-F	Code ASSVXCF0705V	

※ Kit consisting of:



Coupling foot complete with counterflange



Slide rail with screws and gasket



Support for guide tubes



● ACCESSORIES AVAILABLE FOR ORDER

RUNNING GUIDE

※ For VXC /50-F, MC /50-F with guide tubes Ø 3/4".	Code ASSFL0017
※ For VXC /65-F, MC /65-F with guide tubes Ø 3/4".	Code ASSFL0018
※ For VXC /50-F, MC /50-F with guide tubes Ø 2".	Code ASSFL071
※ For VXC /65-F, MC /65-F with guide tubes Ø 2".	Code ASSFL072

Complete with screws and seals



for Ø 3/4" guide tubes



for guide tubes Ø 2"

INTERMEDIATE GUIDE TUBE SUPPORT

※ For Ø 3/4" guide tubes	Code 859SV340INTFA
※ For guide tubes Ø 2"	Code 859SV349INTFA

For reasons of stability, interpose a support:

- every 2 metres with 3/4 " guide pipes (mandatory)
- every 3 metres with 2" guide tubes (recommended)



for Ø 3/4" guide tubes



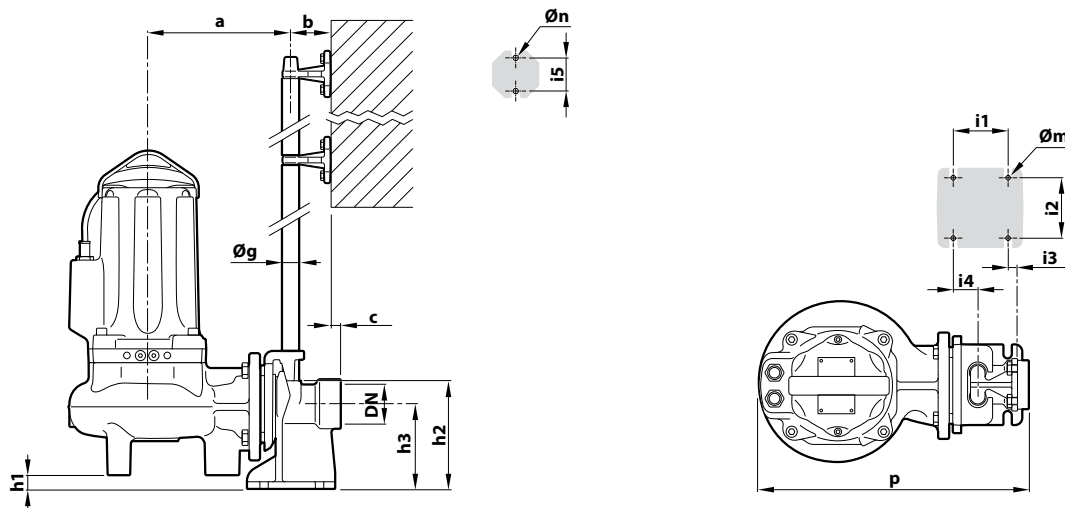
for guide tubes Ø 2"

GUIDE TUBE (AISI 304 stainless steel)

※ 2 metres Ø 3/4" guide tube	Code 54SARTG0052F
※ 3 metres Ø 3/4" guide tube	Code 54SARTG0053F
※ 6 metres Ø 3/4" guide tube	Code 54SARTG0056F
※ 3 metres Ø 2" guide tube	Code 54SARTG0063F
※ 6 metres guide tube Ø 2"	Code 54SARTG0066F

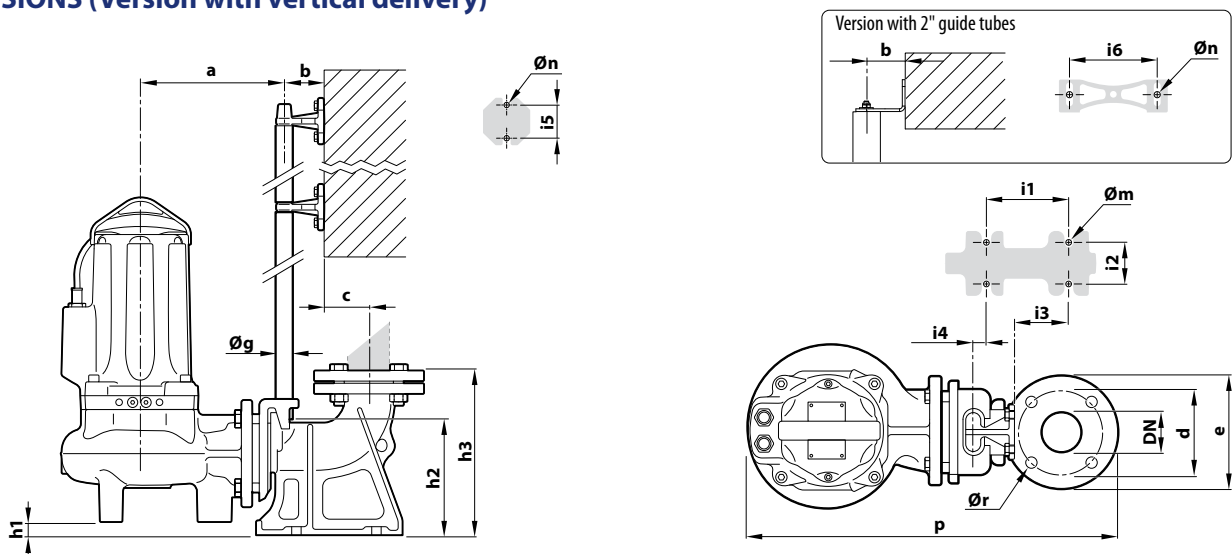


DIMENSIONS (Version with horizontal outlet)



TYPE	Solid bodies mm	PORT DN	DIMENSIONS mm														
			a	b	c	p	h1	h2	h3	i1	i2	i3	i4	i5	Øg	Øm	Øn
VXC /50 -F	Ø 50	2"	216	61	17	412	28	165	130	85	94	16	40	50	¾"	12	11
MC /50 -F																	

DIMENSIONS (Version with vertical delivery)



Version with ¾" guide tubes

TYPE	Solid bodies mm	PORT DN	DIMENSIONS mm																	
			a	b	c	d	e	p	h1	h2	h3	i1	i2	i3	i4	i5	Øg	Øm	Øn	Ør
VXC /50 -F	Ø 50 mm	2½"	213	61	52	125	165	526	25.5	164	215	120	72	62	3	50	¾"	14	11	18
MC /50 -F																				
VXC /65 -F	Ø 65 mm	3" (PN6)	253	61	69	150	190	598	46	216	279	130	112	84	15	50	¾"	14	11	18
MC /65 -F																				

Version with 2" guide tubes

TYPE	Solid bodies mm	PORT DN	DIMENSIONS mm																		
			a	b	c	d	e	p	h1	h2	h3	i1	i2	i3	i4	i5	i6	Øg	Øm	Øn	Ør
VXC /50 -F	Ø 50 mm	3" (PN10)	320	85	95	160	200	718	105	265	392	250	150	35	-130	-	187	2"	22	13.5	18
MC /50 -F																					
VXC /65 -F	Ø 65 mm	3" (PN10)	359	85	95	160	200	760	84	256	392	250	150	35	-130	-	187	2"	22	13.5	18
MC /65 -F																					