

-  Sewage
-  Civil use
-  Industrial use

※ **Advanced design and high-quality materials assure long-term performance and reliability**



PERFORMANCE RANGE

- Flow rate up to **2300 l/min** (138 m³/h)
- Head up to **31 m**

INSTALLATION AND USE

The **BC** series is constructed from thick stainless steel and cast iron, offering exceptional robustness, abrasion resistance, and durability. Equipped with **TWO-CHANNEL** impellers, the pumps are designed to drain **sewage, sludge-mixed water, and activated and putrid sludge**.

They are suitable for a wide range of applications, including sewers, tunnels, excavations, canals, and underground parking facilities.

ELECTRIC MOTOR

※ **The electric motor is safeguarded by a special three-phase thermal protector, situated within the motor, which activates in case of overheating or abnormal power consumption.**

INCLUDES

- ※ Power cable length **10 m**

APPLICATION LIMITS

- Depth below water level up to **10 m** (with an appropriately sized power cable)
- Liquid temperature up to **+40 °C**
- Suspended solids transfer:
 - up to **Ø 35 mm** for BC/35
 - up to **Ø 50 mm** for BC/50
- **Minimum immersion for continuous service: 500 mm**

AVAILABLE UPON REQUEST

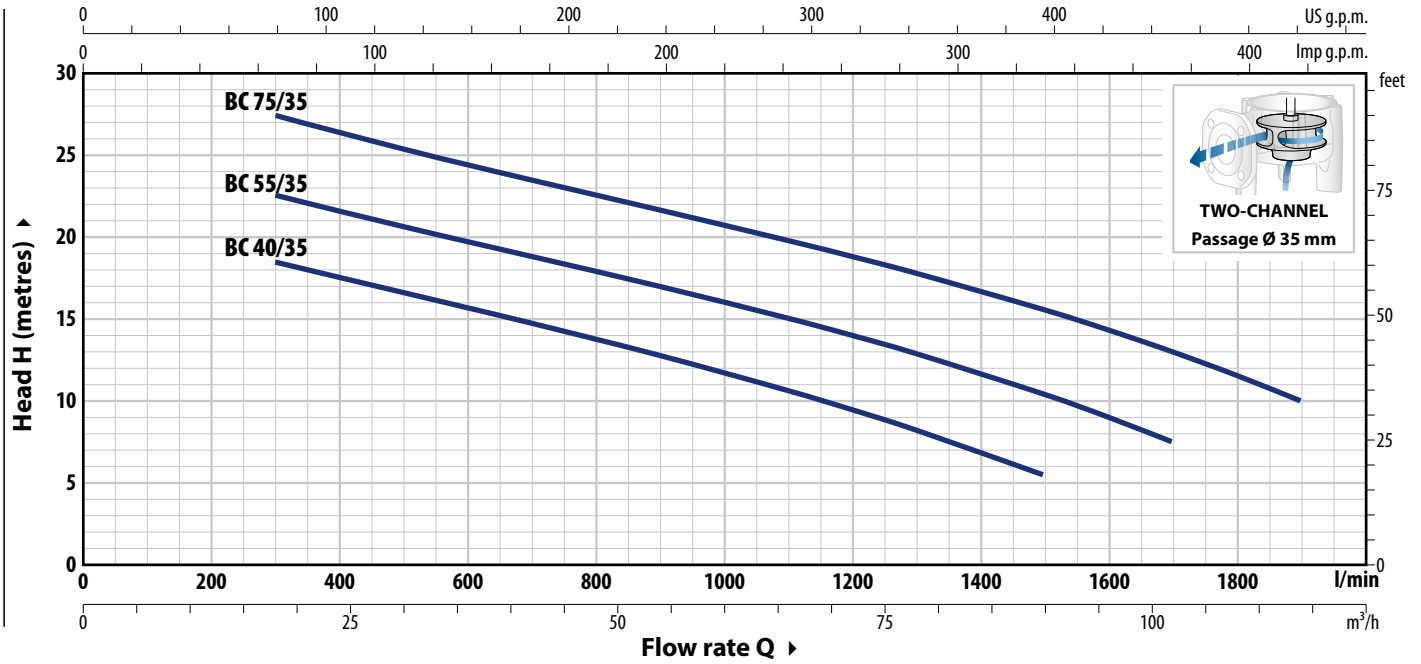
- ※ Different voltage requirements 60 Hz frequency

PATENTS - TRADE MARKS - MODELS

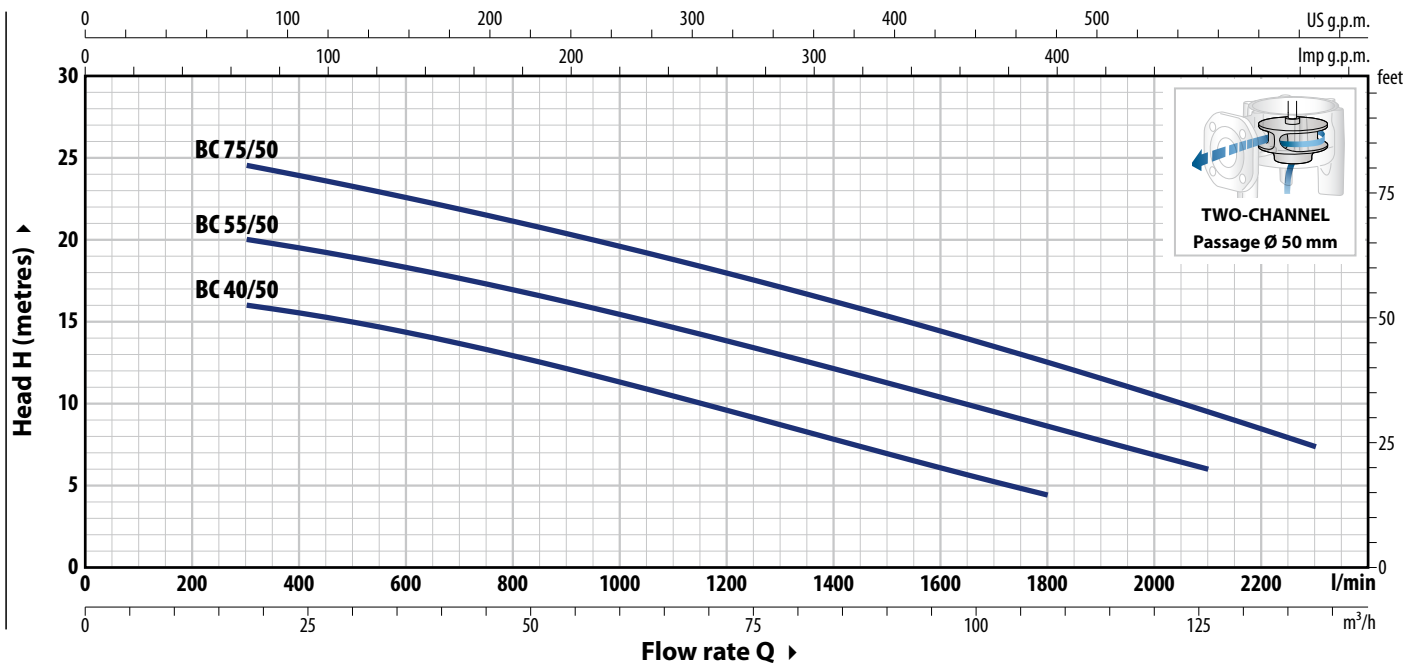
- Registered Community Model No. 003863158-0001

CURVES AND PERFORMANCE DATA

50 Hz



TYPE	POWER (P ₂)		Q	Flow rate											
	kW	HP		m ³ /h	0	18	30	42	54	66	78	90	102	114	
Three-phase				0	300	500	700	900	1100	1300	1500	1700	1900		
BC 40/35	3	4	H metres	21.4	18.5	16.6	14.7	12.8	10.6	8.2	5.5				
BC 55/35	4	5.5		25.8	22.5	20.6	18.8	17	15	13	10.4	7.5			
BC 75/35	5.5	7.5		31	27.5	25.4	23.5	21.6	19.8	17.8	15.6	13	10		



TYPE	POWER (P ₂)		Q	Flow rate											
	kW	HP		m ³ /h	0	18	30	45	60	75	90	108	126	138	
Three-phase				0	300	500	750	1000	1250	1500	1800	2100	2300		
BC 40/50	3	4	H metres	16.5	16	14.8	13	11	9	6.8	4.5				
BC 55/50	4	5.5		21.5	20	19	17.5	15.6	13.5	11.3	8.7	6			
BC 75/50	5.5	7.5		26.5	24.5	23.2	21.5	19.6	17.5	15.3	12.4	9.4	7.5		

Q = Flow rate H = Total manometric head

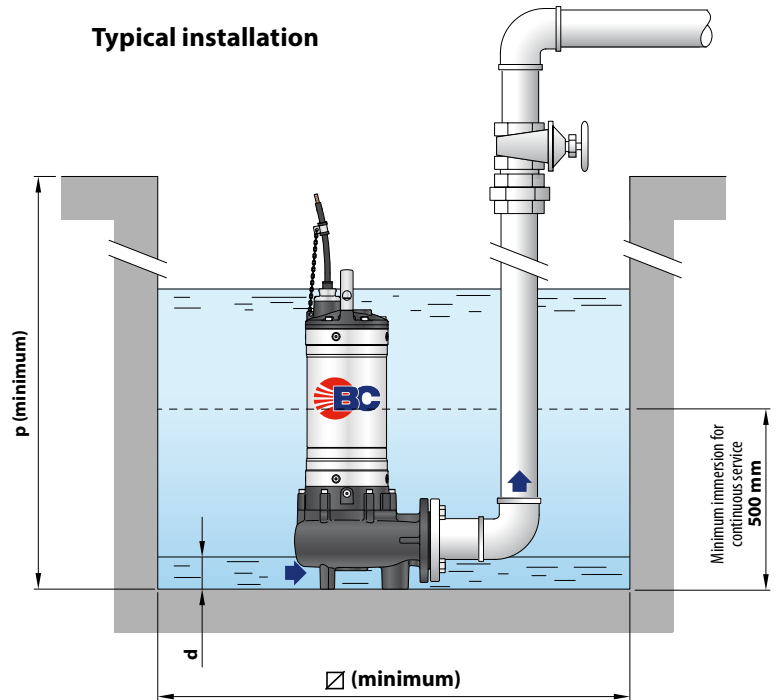
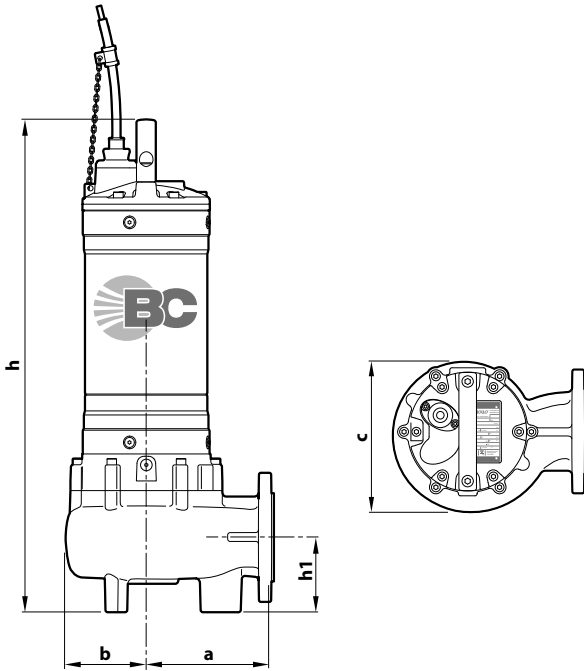
Performance curves comply with EN ISO 9906 Grade 3B tolerance limits.

ABSORPTION

TYPE	VOLTAGE
Three-phase	400 V
BC 40/35	6.2 A
BC 55/35	8.3 A
BC 75/35	13.5 A

TYPE	VOLTAGE
Three-phase	400 V
BC 40/50	7.0 A
BC 55/50	9.0 A
BC 75/50	13.5 A

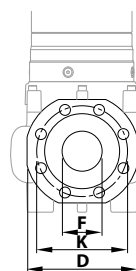
DIMENSIONS AND WEIGHT



TYPE	Passage of solid bodies	DIMENSIONS mm								
		a	b	c	h	h1	d	p	\varnothing	3~
BC 40/35	\varnothing 35 mm	170	113	225	595	100	40	800	500	56.0
BC 55/35					635					62.2
BC 75/35					665					67.0
BC 40/50	\varnothing 50 mm	178	107	210	655	150	85	800	500	58.1
BC 55/50					695					64.3
BC 75/50					725					69.1

PORT FLANGE

TYPE	FLANGE DN	F	K mm	D mm	HOLES	
					N°	\varnothing mm)
BC 40/35	65 (PN10)	2½"	145	185	4	18
BC 55/35						
BC 75/35						
BC 40/50	80 (PN10)	3"	160	200	8	18
BC 55/50						
BC 75/50						



PALLET CAPACITY

TYPE	NO. OF PUMPS
Three-phase	
BC 40/35	12
BC 55/35	12
BC 75/35	12
BC 40/50	12
BC 55/50	12
BC 75/50	12

MATERIALS AND COMPONENTS

1 Pump body	Cast iron with cathoresis treatment
2 Impeller	TWO-CHANNEL cast iron type with cathoresis treatment
3 Motor sleeve	Stainless steel AISI 304
4 Motor cover	Cast iron with cathoresis treatment
5 Motor shaft	Stainless steel AISI 431

6 Double mechanical seal with interposed oil chamber

Seal	Shaft	Location	Materials
AR-27	Ø 27 mm	Motor side	Silicon carbide / Graphite / NBR
AR-25	Ø 25 mm	Pump side	Silicon carbide/Silicon carbide/NBR

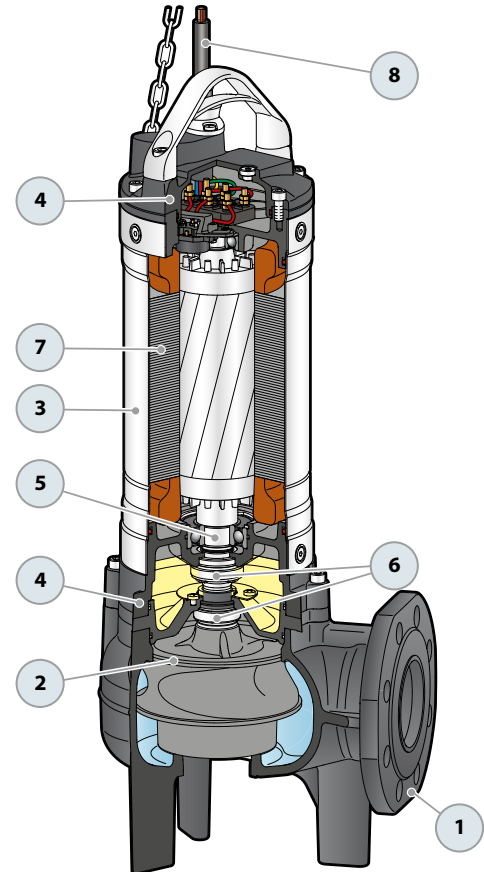
7 Electric Motor

Three-phase 400 V - 50Hz
with winding integrated thermal motor protection

- Insulation: class F
- Protection rating: IP X8

8 Power cord

※ 10 metres 'H07 RN-F' type



SEWAGE LIFTING SYSTEM VX - BC

VERSION WITH HORIZONTAL DELIVERY AND 3/4" GUIDE PIPES

For VX /50	Code ASSPVX50	DN 2
-------------------	---------------	-------------

※ Kit consisting of:



Coupling foot



Guide rail



Support for guide tubes



VERSION WITH VERTICAL DELIVERY AND 3/4" GUIDE PIPES

For VX /50	Code ASSPVX503V	DN 2 1/2"
For VX /65, BC /35	Code ASSPVX653V	DN 3"
For BC /50	Code ASSVXCF071V	

VERSION WITH VERTICAL DELIVERY AND 2" GUIDE TUBES

For VX /50	Code ASSPVX50V	DN 3"
For VX /65, BC /35	Code ASSPVX65V	
For VX /80, BC /50	Code ASSVXCF0705V	

※ Kit consisting of:



Coupling foot complete with counterflange



Guide rail



Support for guide tubes



● ACCESSORIES AVAILABLE FOR ORDER

RUNNING GUIDE

※ For VX /50 with Ø 3/4" guide tubes	Code ASSFL009
※ For VX /65, BC /35 with Ø 3/4" guide tubes	Code ASSFL010
※ For BC /50 with Ø 3/4" guide tubes	Code ASSFL0018
※ For VX /50 with Ø 2" guide tubes	Code ASSFL050
※ For VX /65, BC /35 with Ø 2" guide tubes	Code ASSFL065
※ For VX /80, BC /50 with Ø 2" guide tubes	Code ASSFL072

Complete with screws and seals



for Ø 3/4" guide tubes



for guide tubes Ø 2"

INTERMEDIATE GUIDE TUBE SUPPORT

※ For Ø 3/4" guide tubes	Code 859SV340INTFA
※ For guide tubes Ø 2"	Code 859SV349INTFA

For reasons of stability, an intermediate support should be interposed:

- every 2 metres with 3/4" guide pipes (mandatory)
- every 3 metres with 2" guide tubes (recommended)



for Ø 3/4" guide tubes



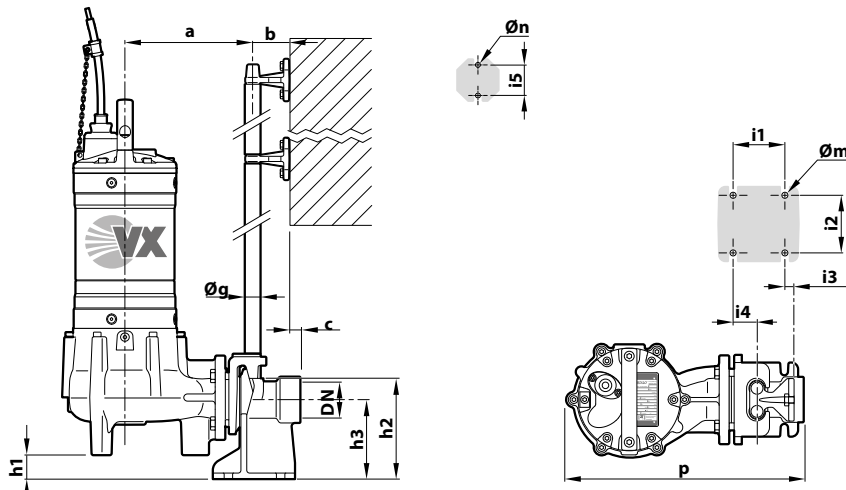
for guide tubes Ø 2"

GUIDE TUBE (AISI 304 stainless steel)

※ 2 metres Ø 3/4" guide tube	Code 54SARTG0052F
※ 3 metres Ø 3/4" guide tube	Code 54SARTG0053F
※ 6 metres Ø 3/4" guide tube	Code 54SARTG0056F
※ 3 metres Ø 2" guide tube	Code 54SARTG0063F
※ 6 metres guide tube Ø 2"	Code 54SARTG0066F

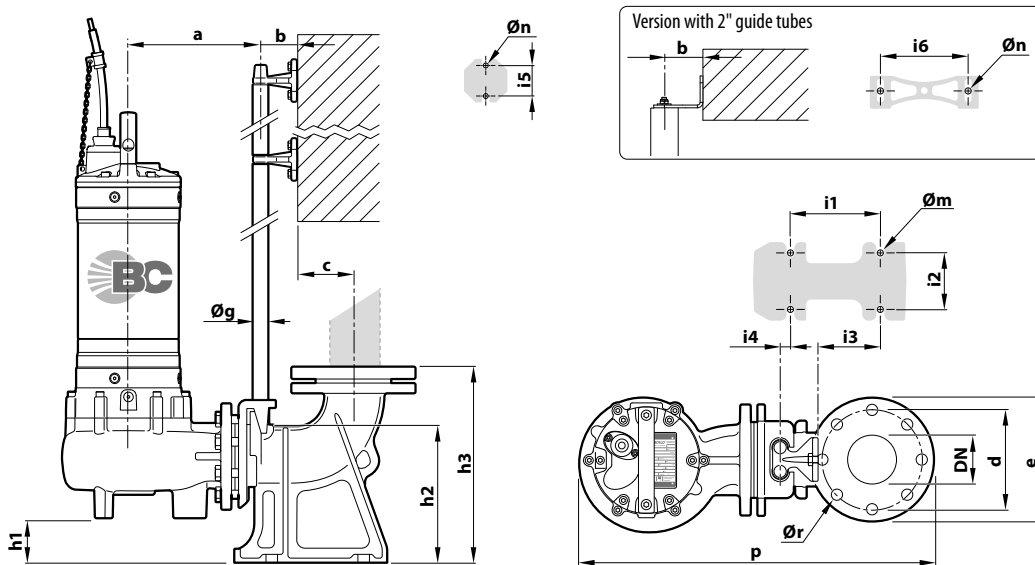


DIMENSIONS (HORIZONTAL delivery version)



TYPE	Solid bodies mm	PORT DN	DIMENSIONS mm														
			a	b	c	p	h1	h2	h3	i1	i2	i3	i4	i5	Øg	Øm	Øn
VX /50	Ø 50	2"	214	61	17	400	30	165	130	85	94	16	40	50	¾"	12	11

DIMENSIONS (Version with VERTICAL delivery)



※ Version with ¾" guide tubes

TYPE	Solid bodies mm	PORT DN	DIMENSIONS mm																	
			a	b	c	d	e	p	h1	h2	h3	i1	i2	i3	i4	i5	Øg	Øm	Øn	Ør
VX /50	Ø 50 mm	2½"	211	61	52	125	165	506	28	164	216	120	72	62	3	50	¾"	14	11	18
VX /65	Ø 65 mm	3"	213		537	48														
BC /35	Ø 35 mm		231		69	150	190	550	69	216	280	130	112	84	15					
BC /50	Ø 50 mm		222		553	19														

※ Version with 2" guide tubes

TYPE	Solid bodies mm	PORT DN	DIMENSIONS mm																		
			a	b	c	d	e	p	h1	h2	h3	i1	i2	i3	i4	i5	i6	Øg	Øm	Øn	Ør
VX /50	Ø 50 mm	3"	319	86	95	160	200	706	107	264	392	250	150	34	-	80	186	2"	22	13.5	18
VX /65	Ø 65 mm							697	86												
VX /80	Ø 80 mm							714	57												
BC /35	Ø 35 mm							710	107												
BC /50	Ø 50 mm							714	57												