



Clean water



Domestic use



Industrial use



Agricultural use



※ With double anti-lock front scraping

### INSTALLATION AND USE

Designed for pumping diesel/naphtha and clean water free from abrasive particles and non-corrosive liquids that do not harm the pump's components.

Their specific operating mechanism makes them an excellent solution when a compact self-priming pump is required or when the flow of the liquid is irregular or mixed with air.

### APPLICATION LIMITS

- Suction head up to **9 m (HS)**
- Liquid temperature between **-10 °C** and **+90 °C**
- Ambient temperature up to **+40 °C**
- Maximum working pressure **6 bar**

### AVAILABLE UPON REQUEST

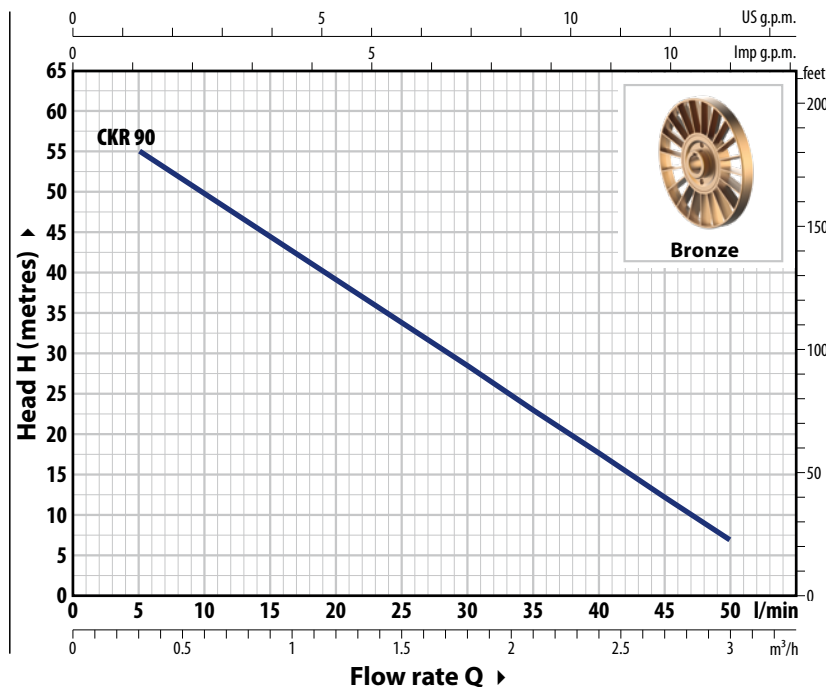
- ※ Mechanical seal options available
- ※ Specific voltages
- ※ Protection rating: IP 55

### PATENTS - TRADE MARKS - MODELS

- Motor bracket: Patent No. IT1243605

### CURVES AND PERFORMANCE DATA – HS=0 m

50 Hz



### ABSORPTION

TYPE	VOLTAGE
<b>Single-ph.</b>	<b>230 V</b>
<b>CKRm 90</b>	5.7 A

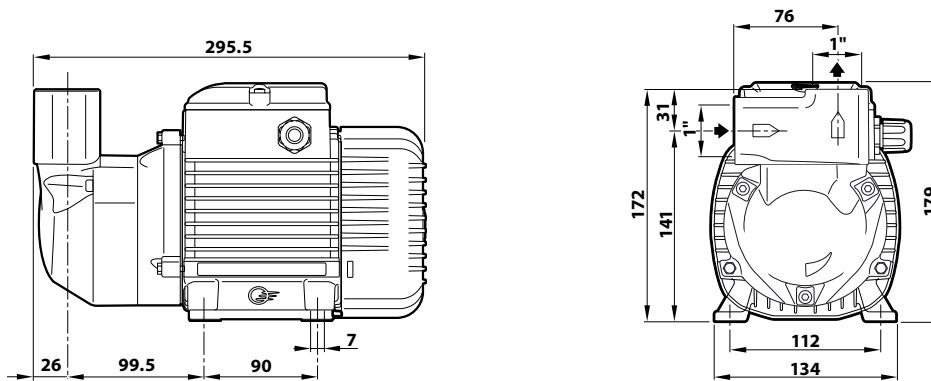
TYPE	VOLTAGE	
<b>Three-ph.</b>	<b>230 V - Δ</b>	<b>400 V - 人</b>
<b>CKR 90</b>	4.0 A	2.3 A

TYPE		POWER (P <sub>2</sub> )		1~3~	Q	Flow rate												
Single-ph.	Three-ph.	kW	HP			m <sup>3</sup> /h	0	0.3	0.6	0.9	1.2	1.5	1.8	2.1	2.4	2.7	3.0	
<b>CKRm 90</b>	<b>CKR 90</b>	0.75	1	IE2 IE3	H metres	60	55	49.7	44.3	39	33.7	28.3	23	17.7	12.3	7		

Q = Flow rate H = Total manometric head HS = Suction height

Performance curves comply with EN ISO 9906 Grade 3B tolerance limits.

## DIMENSIONS (mm)



TYPE		PORTS		WEIGHT (kg)		PALLET CAPACITY
Single-phase	Three-phase	DN1	DN2	1~	3~	
CKRm 90	CKR 90	1"	1"	12.0	12.0	119

## CONSTRUCTION FEATURES

<b>1 Pump body</b>	Cast iron, with <b>stainless-steel</b> front shaving surface to prevent the impeller from locking due to oxidation. The pump body is equipped with ISO 228/1 threaded ports	
<b>2 Motor bracket</b>	Aluminium with brass cover with front anti-locking shim function (patented)	
<b>3 Impeller</b>	Bronze, star-type with open radial vanes	
<b>4 Mechanical seal</b>	Type	Materials
	<b>AR-12V</b>	Ceramic / Graphite / Viton
<b>5 Shaft</b>	Stainless steel <b>AISI 431</b>	
<b>6 Electric motor</b>	<b>CKRm:</b> single-phase 230 V - 50 Hz with winding integrated thermal motor protection <b>CKR:</b> three-phase 230/400 V - 50 Hz ※ Pumps are equipped with high-efficiency motors (IEC 60034-30-1) class <b>IE2</b> for single-phase models class <b>IE3</b> for three-phase models – Continuous running duty <b>S1</b> – Insulation: class F – Protection rating: IP X4	

