

XZS100 (>7.5 kW) Centrifugal monobloc pump with rigid coupling

Application

- The XZS standardized monobloc centrifugal pump is a new generation of centrifugal pump dedicated to conveying water and various industrial fluids. This pump is suitable for various temperatures, flow rates and pressures. It is manufactured using advanced technologies.
- Drinking water supply, filtration and overpressure of water.
- Industrial pressurization, flow dampening system, cleaning system
- Transport of industrial liquids, hot water supply, condensing system, cooling system, air conditioning system.
- Water treatment, water distillation system, separator, swimming pool
- Irrigation
- Petrochemical and medical industries, etc ...

Pompe

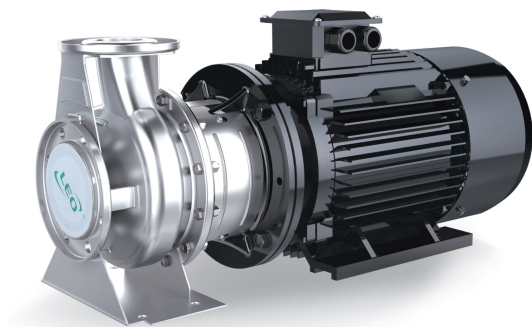
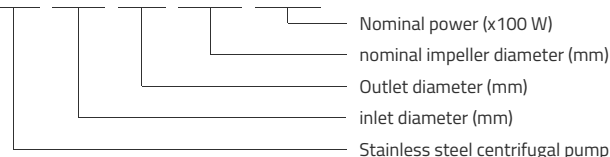
- Conditions of use: Clear, non-flammable and non-explosive liquid, without particles or fibers
- Liquid temperature: from -15°C to +90°C
- Nominal flow entre 0.7 and 132 m³/h
- HMT between 9 and 58 m
- pH between 3 and 9
- Carbon / SiC / NBR mechanical seal

Moteur

- Protection class: IP55
- Maximum ambient temperature: +40°
- Maximum working pressure: 10 bars

Identification codes

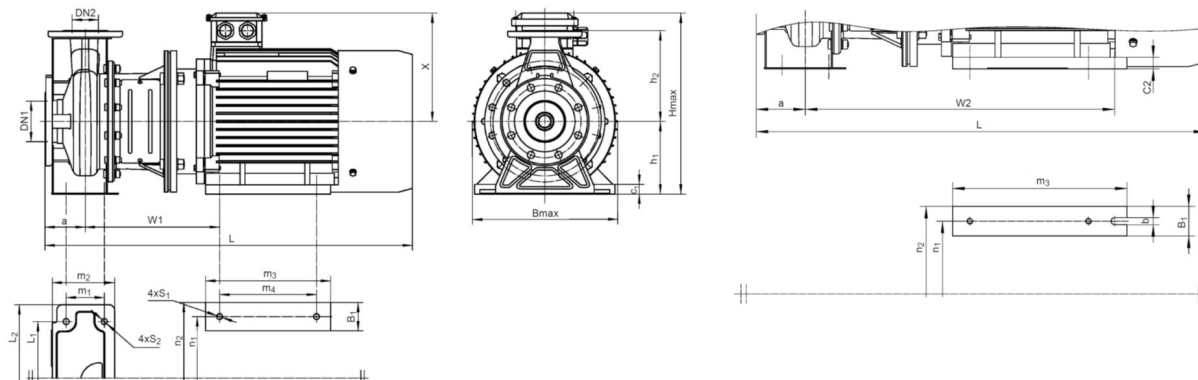
XZS 100 -65 -200 /150



Technical data

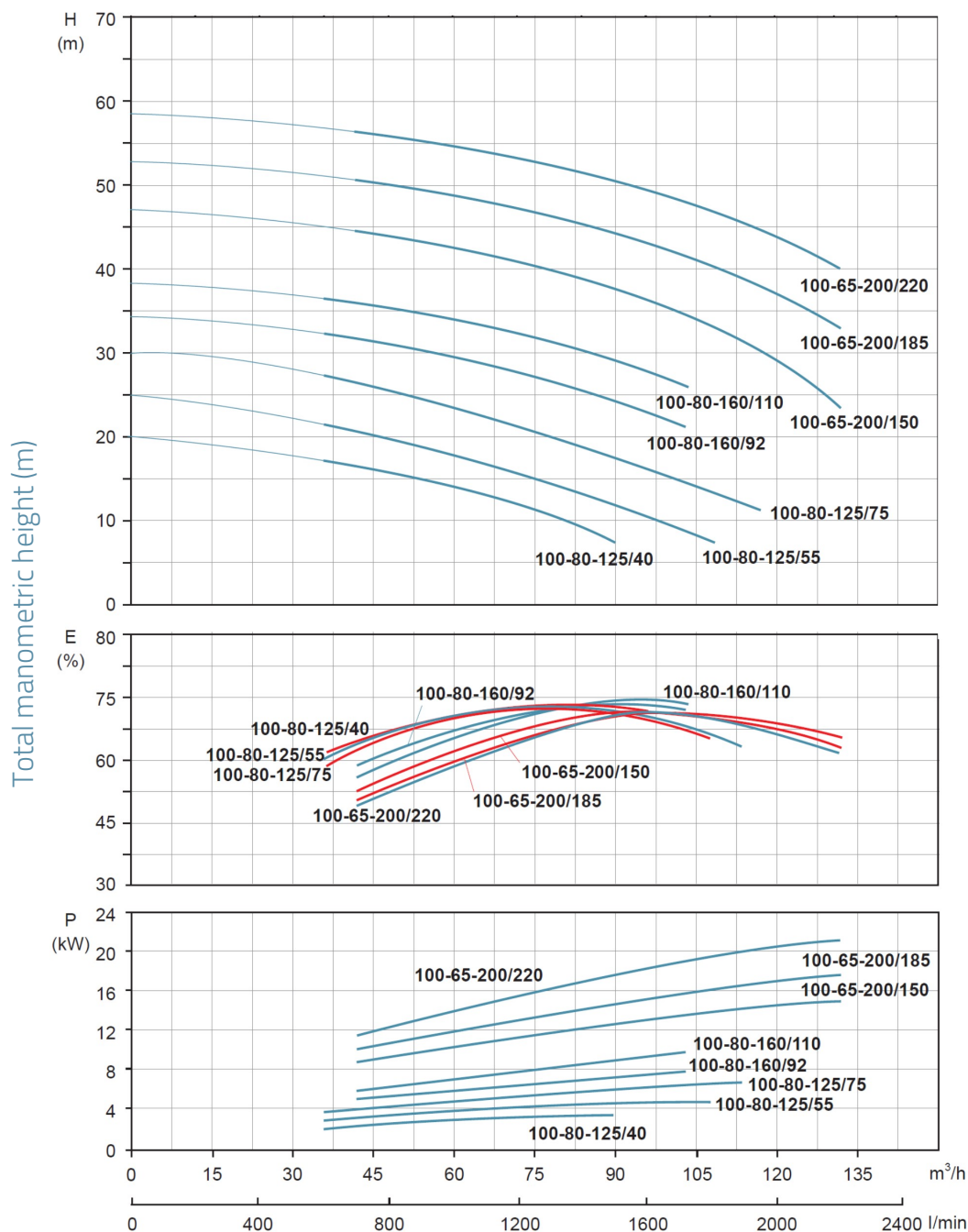
MODEL	kW	Q (m ³ /h)	0	42	48	60	72	90	108	114	120	126	132
		Q (l/min)	0	700	800	1000	1200	1500	1800	1900	2000	2100	2200
XZS100-80-160/92	9.2	33	31	30	28	26	23						
XZS100-80-160/110	11	38.5	36	35	33	31	28						
XZS100-65-200/150	15	47	44	43	41	39	36	32	30	28	26	23	
XZS100-65-200/185	18.5	53	51	50	49	48	45	41	39	37	35	33	
XZS100-65-200/220	22	58	57	56	55	54	51	47	45.5	44	42	40	

Dimensions



MODEL	DN1	DN2	a	w1	w2	L1	L2	m1	m2	m3	m4	n1	n2	h1	h2	S1	S2	B1	b	c1	c2	X	Bmax	Hmax	L
XZS100-80-160/92	100	80	100	321		212	280	95	155	260	210	254	320	160	200	14.5	14	65		20		260	350	420	823
XZS100-80-160/110	100	80	100	321		212	280	95	155	260	210	254	320	160	200	14.5	14	65		20		260	350	420	823
XZS100-65-200/150	100	65	100		625	250	320	95	155	354		254	314	180	225		14	60	14.5		20	260	350	440	868
XZS100-65-200/185	100	65	100		581	250	320	95	155	310		254	314	180	225		14	60	14.5		20	260	350	440	823
XZS100-65-200/220	100	65	100	334		250	320	95	155	311	241	279	355	180	225	14.5	14	70		22		280	355	460	913

Hydraulic performance



Exploded view

No.	Type	Materials
1	Pump body	austenitic stainless steel
2	Impeller	austenitic stainless steel
3	O-ring	nitrile rubber (NBR)
4	Rear cover	austenitic stainless steel
5	Lantern	cast iron HT200
6	Engine	
7	Rigid coupling	austenitic stainless steel
8	Nameplate	austenitic stainless steel
9	Coupling protection housing	austenitic stainless steel
10	Mechanical seal	silicon carbide / graphite

