

※ For pools up to
135 m³



※ Robust electric pumps constructed with high-quality components and thick materials for extended durability and quiet operation.

※ Pre-filter equipped with a transparent cover for easy visual inspection, featuring an extra-large filter basket to reduce cleaning frequency.

※ High resistance to heat, chemicals, and salt corrosion.

※ Motor case painted with cathoporesis for added protection

※ Supplied with 2" GAS threaded ISO 228/1 connection fittings and AISI 304 screws

PERFORMANCE RANGE

- Flow rate up to **600 l/min** (36 m³/h)
- Head up to **21 m**

INSTALLATION AND USE

Self-priming pump with a built-in filter, designed for water circulation in residential swimming pools up to **135 m³**.

APPLICATION LIMITS

- Manometric suction head up to **4 m** (HS)
- Liquid temperature up to **+40 °C**
- Ambient temperature up to **+40 °C**
- Maximum working pressure **2.5 bar**
- Swimming pool water (pH 6.5 – 8.4).

AVAILABLE UPON REQUEST

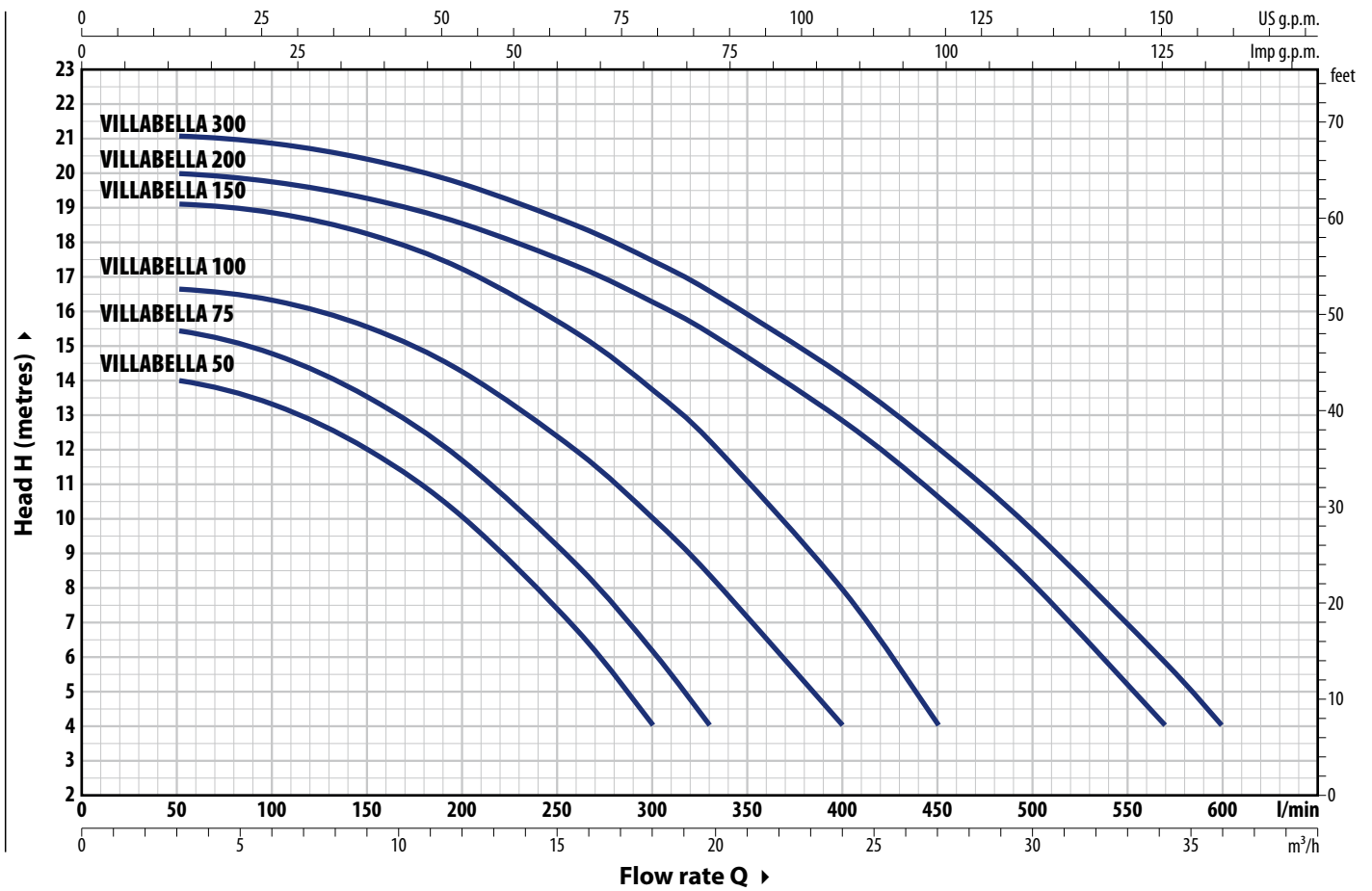
- ※ Smooth connection fitting **63 mm**
- ※ Smooth connection fitting **2" BS**

Key to open the pre-filter cover included.



CURVES AND PERFORMANCE DATA – HS=0 m

50 Hz



TYPE		POWER (P ₂)		1~ 3~	Q	m ³ /h												
Single-phase	Three-phase	kW	HP			0	3	6	9	12	15.6	18	19.8	24	27	34.2	36	
						0	50	100	150	200	260	300	330	400	450	570	600	
VILLABELLA 50m	VILLABELLA 50	0.37	0.50	IE2 IE3		14	14	13.3	12	10	6.8	4						
VILLABELLA 75m	VILLABELLA 75	0.55	0.75			15.5	15.5	14.8	13.5	11.7	8.7	6	4					
VILLABELLA 100m	VILLABELLA 100	0.75	1			16.5	16.4	16.3	15.6	14.2	12	10	8.3	4				
VILLABELLA 150m	VILLABELLA 150	1.1	1.5			19	18.9	18.8	18.2	17.2	15.3	13.7	12.2	8	4			
VILLABELLA 200m	VILLABELLA 200	1.5	2			20	19.9	19.8	19.3	18.5	17.3	16.3	15.4	12.8	10.6	4		
VILLABELLA 300m	VILLABELLA 300	2.2	3			21	20.9	20.8	20.4	19.7	18.5	17.4	16.6	14	12	5.8	4	

Q = Flow rate H = Total manometric head HS = Suction height

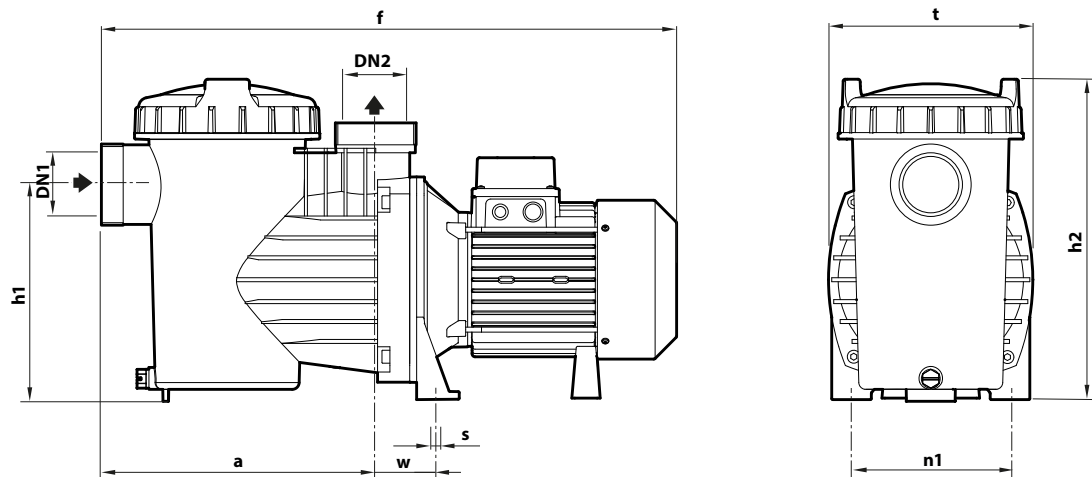
Performance curves comply with EN ISO 9906 Grade 3B tolerance limits.

ABSORPTION

TYPE	VOLTAGE
Single-phase	230 V
VILLABELLA 50m	4.2 A
VILLABELLA 75m	4.7 A
VILLABELLA 100m	6.0 A
VILLABELLA 150m	7.5 A
VILLABELLA 200m	9.5 A
VILLABELLA 300m	10.5 A

TYPE	VOLTAGE	
	230 V - Δ	400 V - ƿ
VILLABELLA 50	2.8 A	1.6 A
VILLABELLA 75	2.9 A	1.7 A
VILLABELLA 100	3.5 A	2.0 A
VILLABELLA 150	4.8 A	2.8 A
VILLABELLA 200	6.6 A	3.8 A
VILLABELLA 300	7.4 A	4.3 A

DIMENSIONS AND WEIGHT



Single-phase	TYPE	Three-phase	PORTS		DIMENSIONS mm							kg		
			DN1	DN2	a	f	h1	h2	n1	w	s	t	1~	3~
VILLABELLA 50m		VILLABELLA 50	2"	2"	277	550	216	315	160	84	9	206	11.7	11.7
VILLABELLA 75m		VILLABELLA 75											11.5	11.5
VILLABELLA 100m		VILLABELLA 100											12.9	12.9
VILLABELLA 150m		VILLABELLA 150				13.9	13.9							
VILLABELLA 200m		VILLABELLA 200				14.9	14.9							
VILLABELLA 300m		VILLABELLA 300				17.4	17.4							

MATERIALS AND COMPONENTS

1 Pump body	Glass-fibre reinforced polypropylene		
2 Seal insert	Glass-fibre reinforced polypropylene		
3 Diffuser	Glass-fibre reinforced polypropylene		
4 Impeller	Noryl™		
5 Mechanical seal	Seal	Shaft	Materials
	AR-15	Ø 15	Graphite / Alumina Oxide / NBR
6 Motor shaft	Stainless steel AISI 316		
7 Electric motor	VILLABELLA m: single-phase 230 V - 50 Hz with winding integrated thermal motor protection VILLABELLA: three-phase 230/400 V - 50 Hz ※ Pumps are equipped with high-efficiency motors (IEC 60034-30-1) class IE3 for three-phase models – Continuous running duty S1 – Insulation: CLASS F – Protection rating: IP 55		
8 O-Ring (OR)	NBR		
9 Cover	Polycarbonate		
10 Pre-filter	Polypropylene		
11 Fittings	PVC		

