

JA 150-300

Self-priming



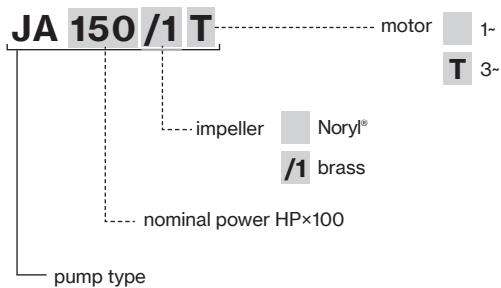
Self-priming centrifugal pumps for water supply (also mixed with air) of small and medium domestic and civil installations, that can be connected to an autoclave tank.

Construction features

Pump body	cast iron
Motor bracket	cast iron
Impeller	Noryl® or brass
Mechanical seal	ceramic-graphite-NBR
Motor shaft	stainless steel AISI 303 hydraulic side
Liquid temperature	0 - 50 °C
Operating pressure	max 8 bar

Motor

	3~ 230/400V - 50Hz
2 Poles induction motor	1~ 230V - 50Hz (with thermal protection)
Insulation class	F
Protection degree	IPX4



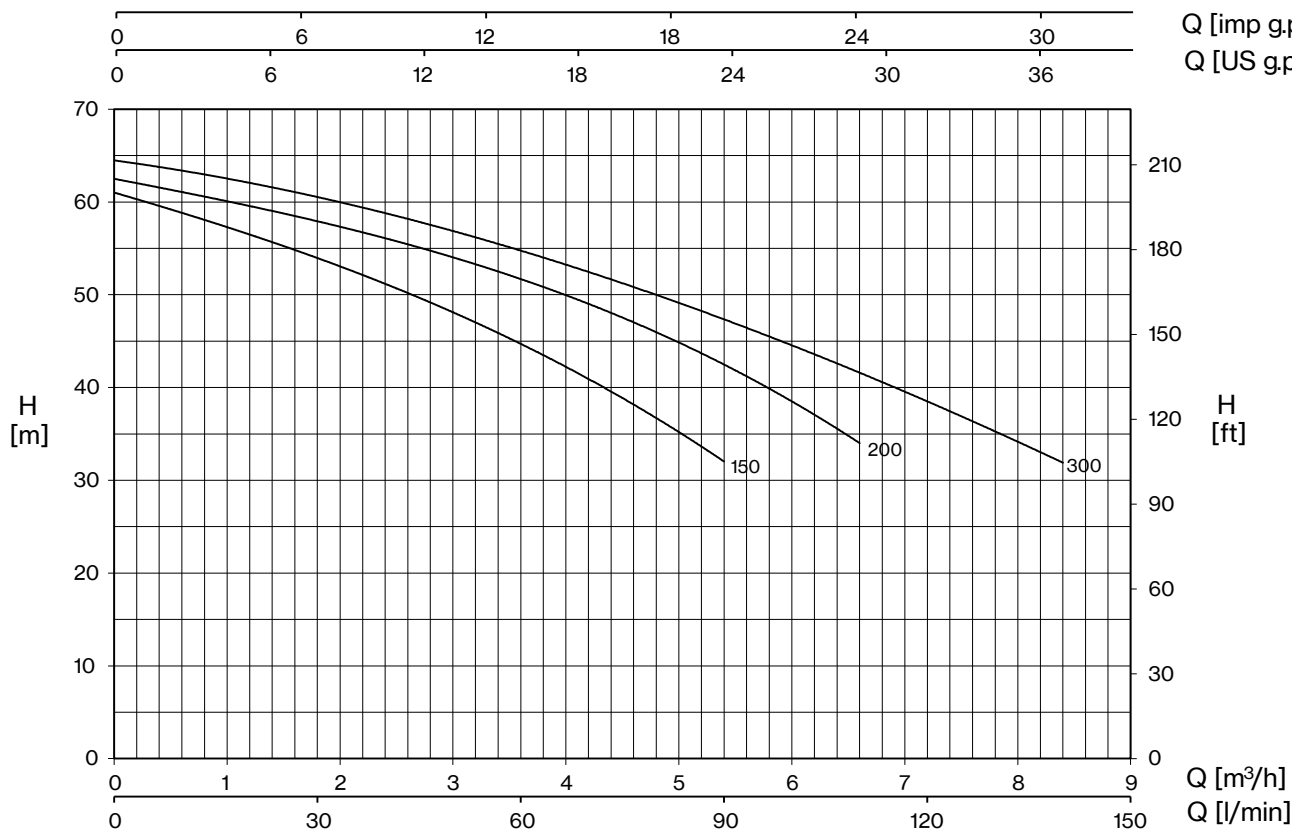
TYPE	LOTS			
	TRUCK		CONTAINER	
	PALLET (cm)	N° pumps	PALLET (cm)	N° pumps
JA 150-300	85×110×140	30	85×110×190	42



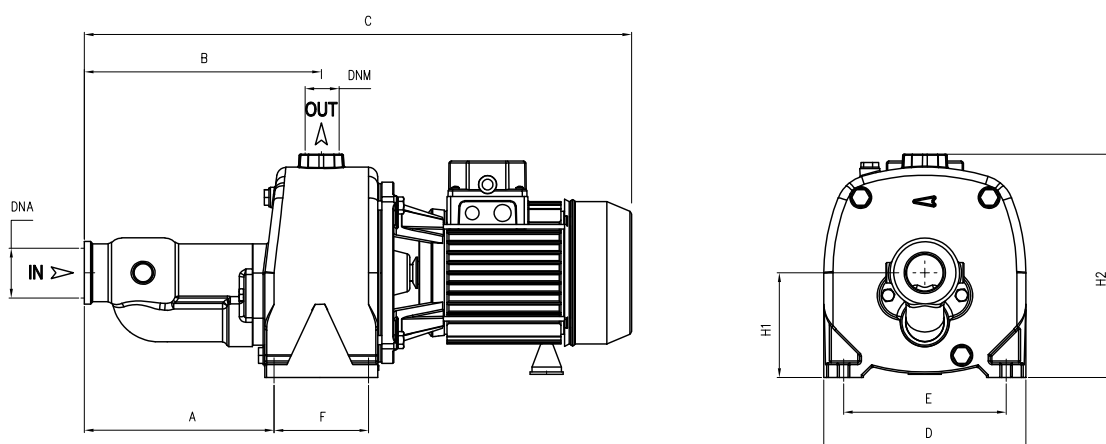
JA 150-300

Q [imp g.p.m.]

Q [US g.p.m.]



TYPE		P2		P1 (kW)		AMPERE		Q (m³/h - l/min)									
1~	3~	HP	kW	1~	3~	1~ 230V 50 Hz	3~ 400V 50 Hz	0	1,2	1,8	3	4,2	5,4	6,6	7,8	8,4	
								0	20	30	50	70	90	110	130	140	
								H (m)									
JA 150	JA 150T	1,5	1,1	1,74	1,68	7,9	3,3	61	56,5	54,0	48,0	41,0	32,0				
JA 200	JA 200T	2	1,5	2,22	2,1	10,3	3,9	62,5	59,5	58,0	54,0	49,0	42,5	34,0			
JA 300	JA 300T	3	2,2	2,65	2,5	11,8	4,9	64,5	62	60,5	57,0	52,5	47,0	42,0	35,0	32,0	



TYPE	DIMENSIONS (mm)													Kg
	A	B	C	D	E	F	H1	H2	DNA	DNM	I	L	M	
JA 150	204	257	596	220	177	105	112	240			610	235	275	30
JA 200	204	257	596	220	177	105	112	240	1" 1/2 G	1" G	610	235	275	30,5
JA 300	204	257	596	220	177	105	112	240			610	235	275	31,5