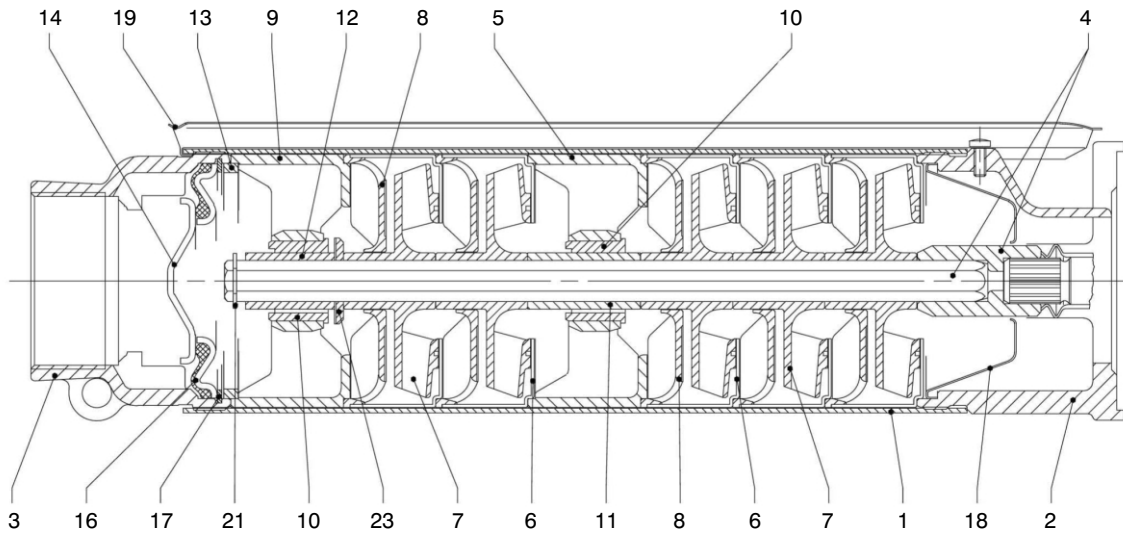


4" DS FLOATING STACK IMPELLERS PUMPS SERIES



Cross Sectional Drawing and Parts List for DS 1, 2, 3, 4, 5, 6, 8

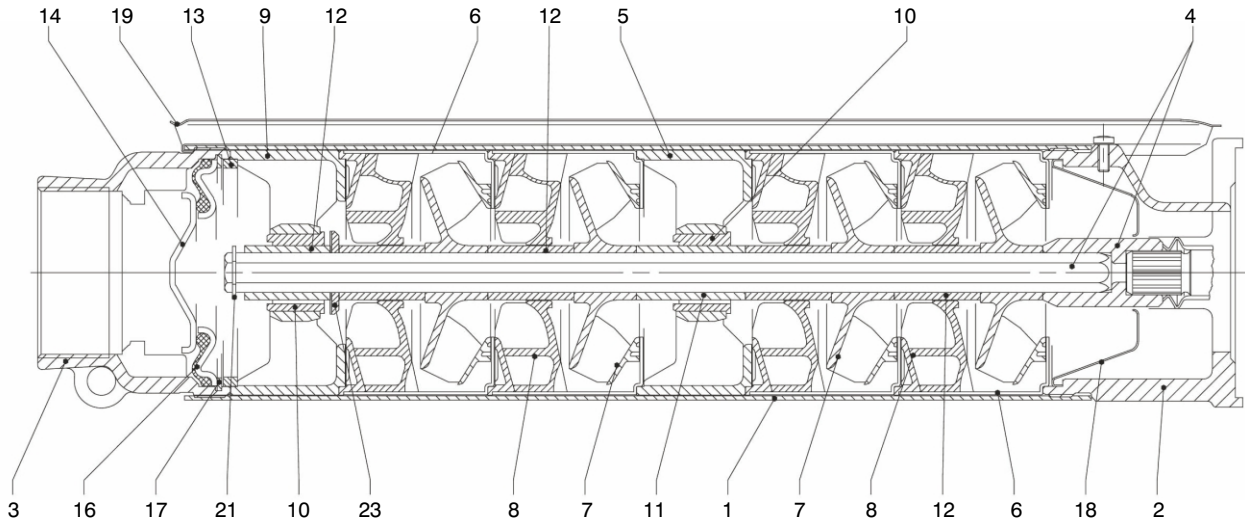


Ref. N.	Description	Material
1	Sleeve	Stainless Steel
2	Lower Support/ Motor Adapter	Casted Stainless Steel
3	Discharge Head	Casted Stainless Steel
4	Shaft with Coupling	Stainless Steel
5	Intermediate Support	Glass Filled Engineered Composites
6	Bowl	Stainless Steel
7	Impeller	Glass Filled Noryl
8	Diffuser	Glass Filled Polycarbonate
9	Top Diffuser	Glass Filled Polycarbonate
10	Intermediate Bearing	N.B.R.
11	Shaft Bushing	Stainless Steel
12	Top Bushing	Stainless Steel
13	Adapter Ring	Stainless Steel
14	Valve Cap	Stainless Steel
16	Valve Support with Gasket	Stainless Steel and N.B.R.
17	Valve Lock Ring	Stainless Steel
18	Filter	Stainless Steel
19	Cable Guard	Stainless Steel
21	Upper Split Ring	Stainless Steel
23	Thrust Washer	Stainless Steel

4" DS FLOATING STACK IMPELLERS PUMPS SERIES

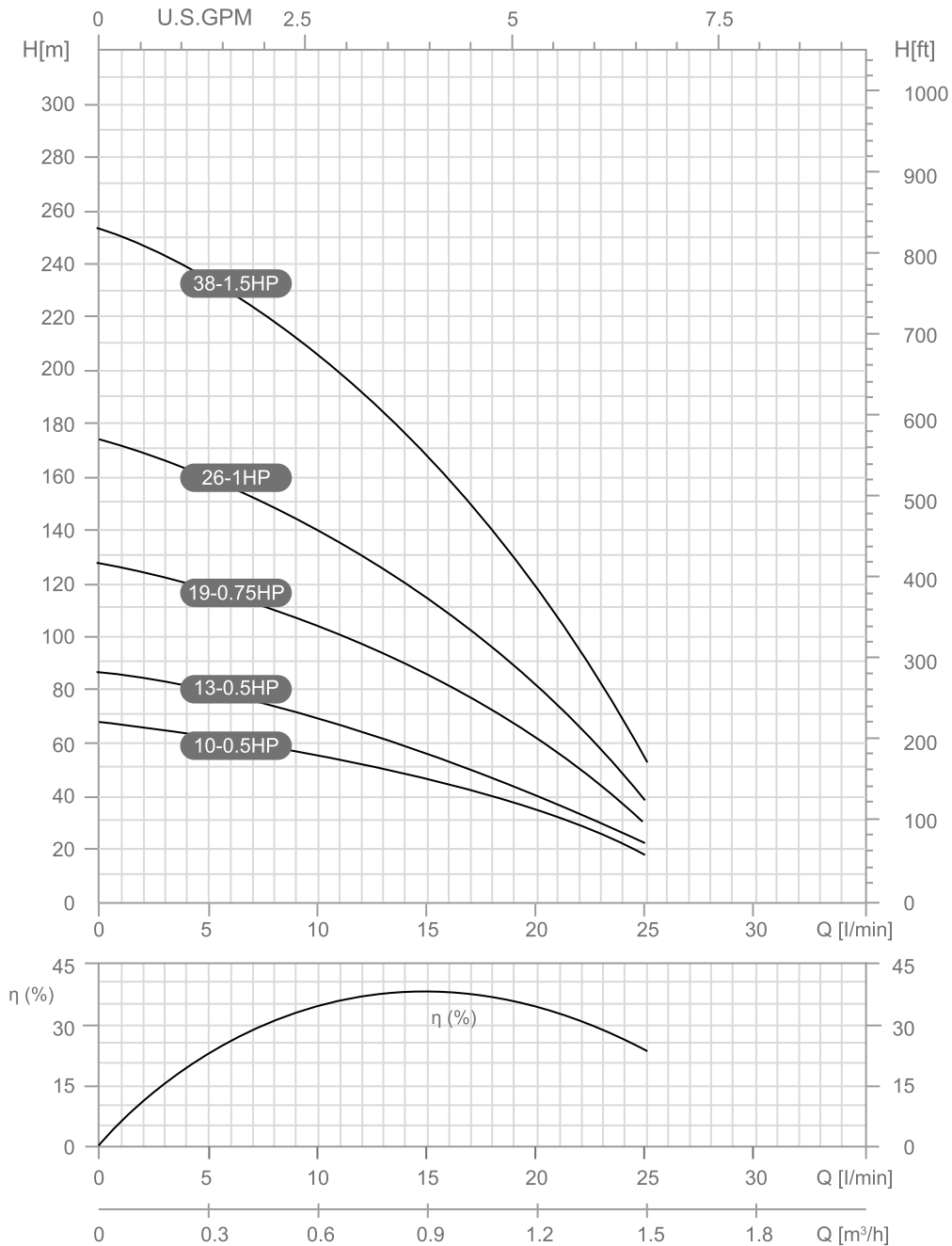


Cross Sectional Drawing and Parts List for DS 12 and 16



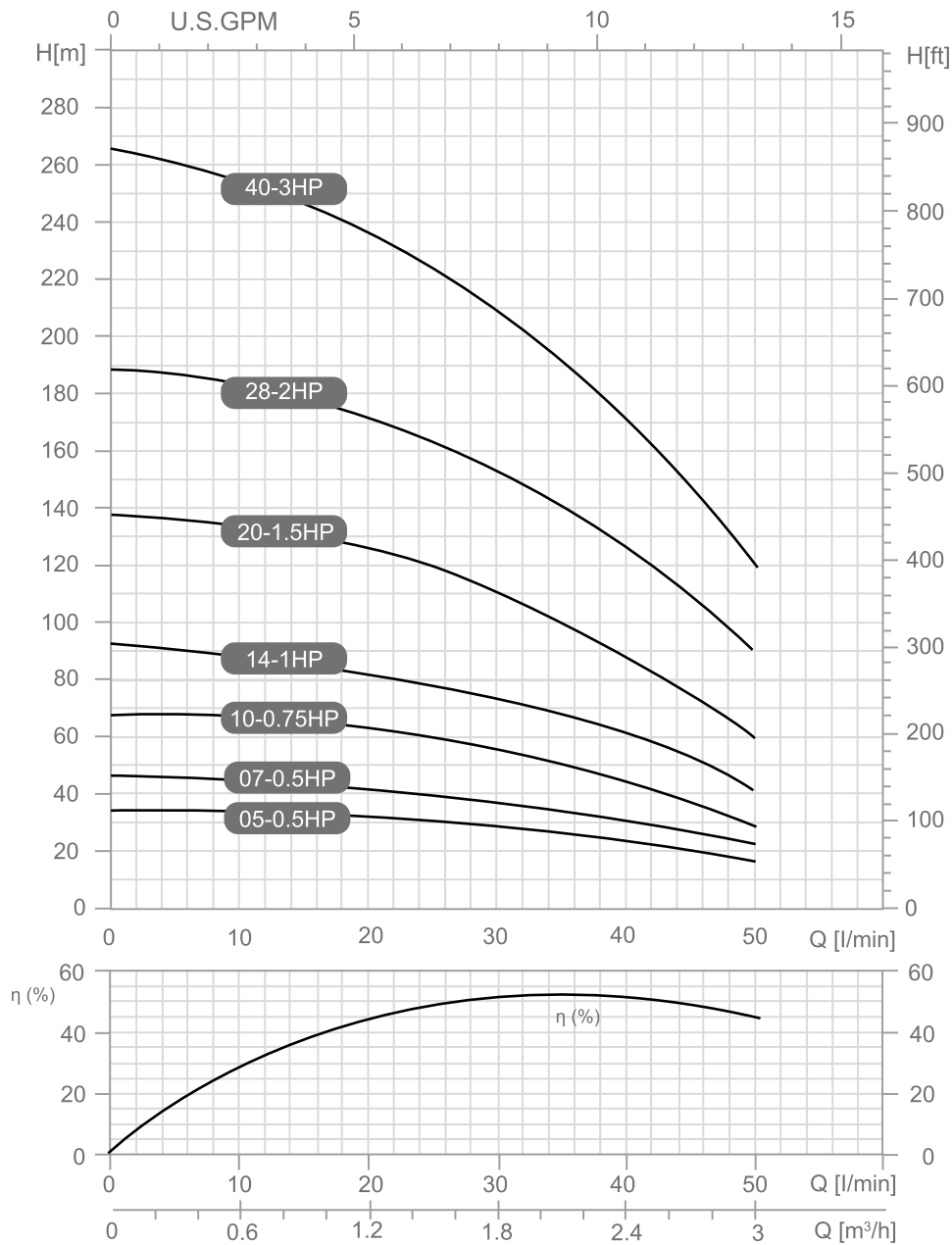
Ref. N.	Description	Material
1	Sleeve	Stainless Steel
2	Lower Support/ Motor Adapter	Casted Stainless Steel
3	Discharge Head	Casted Stainless Steel
4	Shaft with Coupling	Stainless Steel
5	Intermediate Support	Glass Filled Engineered Composites
6	Bowl	Stainless Steel
7	Impeller	Glass Filled Noryl
8	Diffuser	Glass Filled Polycarbonate
9	Top Diffuser	Glass Filled Polycarbonate
10	Top Bearing	N.B.R.
11	Top Bushing	Stainless Steel
12	Shaft Bushing/Spacer	Stainless Steel / Noryl
13	Adapter Ring	Stainless Steel
14	Valve Cap/Non Return Valve	Stainless Steel
16	Valve Support with Gasket	Stainless Steel and N.B.R.
17	Valve Lock Ring	Stainless Steel
18	Filter	Stainless Steel
19	Cable Guard	Stainless Steel
21	Upper Split Ring/Shaft Clip Ring	Stainless Steel
23	Thrust Washer	Stainless Steel

4" DS 1 | 4" Submersible Pumps | 50 Hz – 2 poles – 2850 rpm



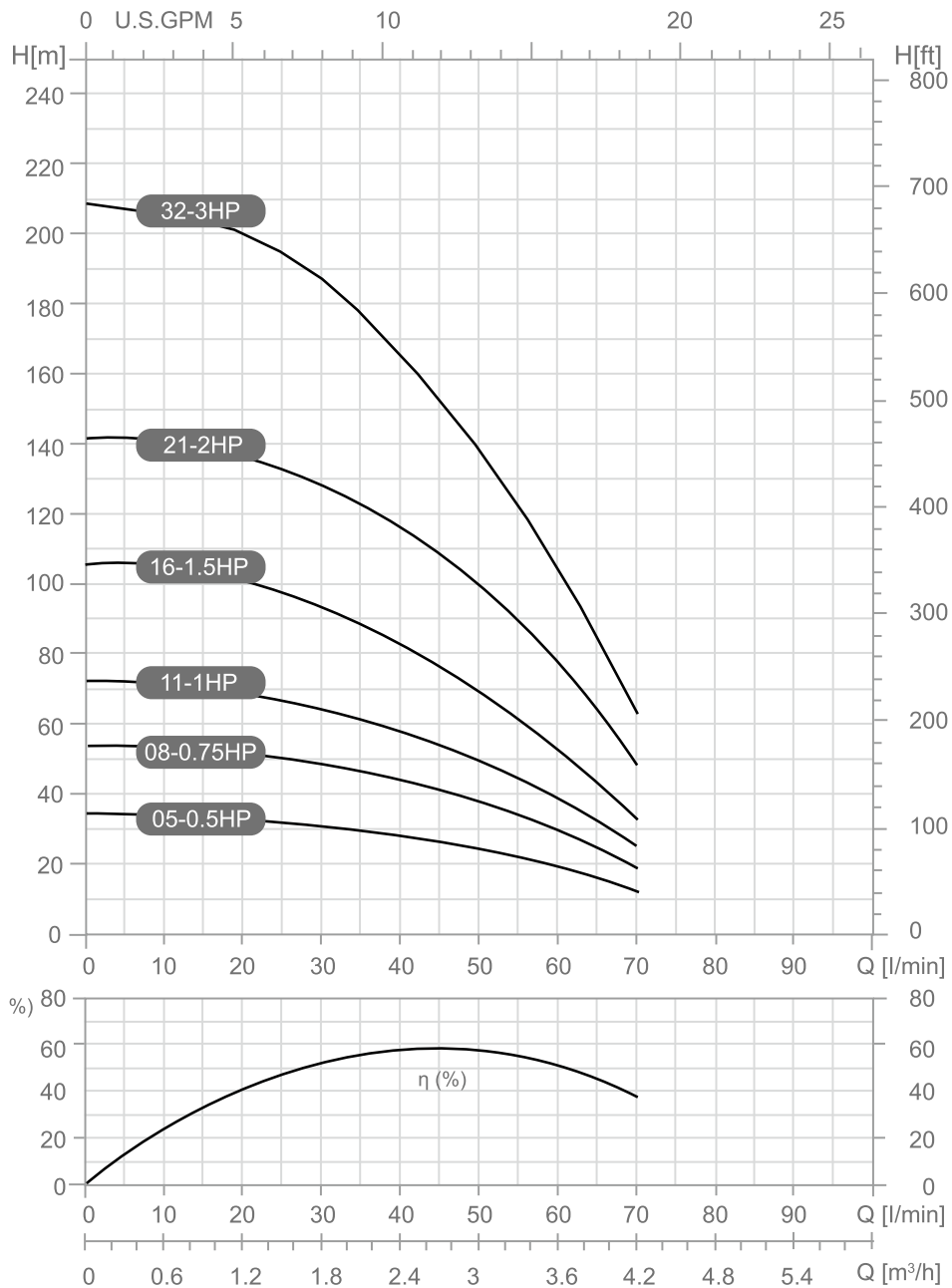
Type	N. of Stages	Motor		Pump			Q	Delivery				
		KW	HP	Length (mm)	Outlet (inch)	Weight (Kg)		m ³ /h	0	0.3	0.6	0.9
							l/min	0	5	10	15	20
DS 1-10	10	0.37	0.50	348	1.25"	3.5	Head H m	67	63	55	46	33
DS 1-13	13	0.37	0.50	402	1.25"	4.0		86	78	70	56	42
DS 1-19	19	0.55	0.75	507	1.25"	5.2		126	118	105	86	60
DS 1-26	26	0.75	1.00	659	1.25"	6.8		173	160	141	117	81
DS 1-38	38	1.10	1.50	868	1.25"	8.8		253	234	208	169	117

4" DS 2 | 4" Submersible Pumps | 50 Hz – 2 poles – 2850 rpm



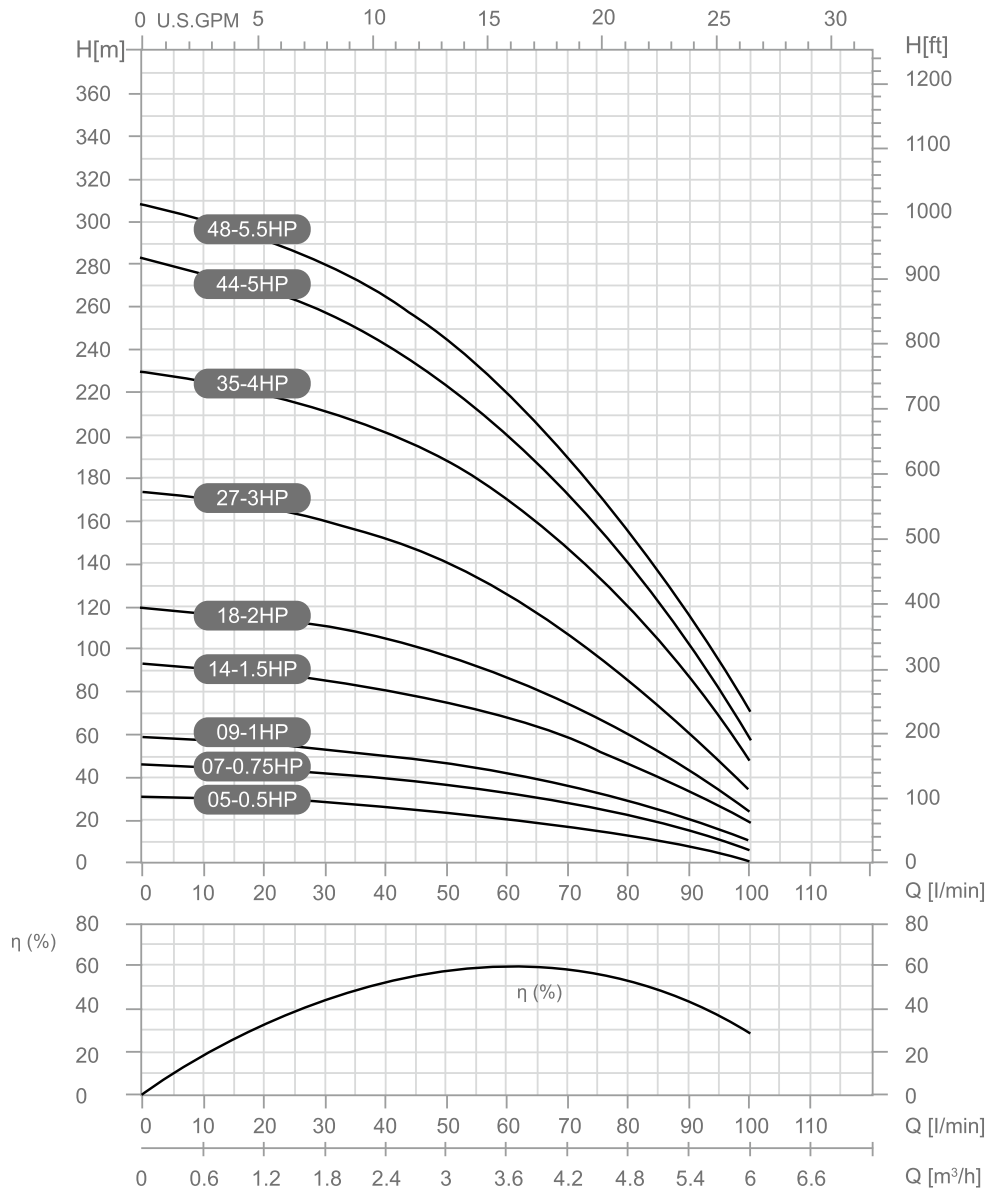
Type	N. of Stages	Motor		Pump			Q m3/h l/min	Delivery					
		KW	HP	Length (mm)	Outlet (inch)	Weight (Kg)		0	1.5	1.8	2.1	2.4	2.7
DS 2-5	5	0.37	0.50	261	1.25"	2.5	Head H m	0	25	30	35	40	45
DS 2-7	7	0.37	0.50	297	1.25"	3.0		33	28	26	24	20	17
DS 2-10	10	0.55	0.75	349	1.25"	3.5		47	39	35	32	28	24
DS 2-14	14	0.75	1.00	418	1.25"	4.8		67	56	52	47	41	35
DS 2-20	20	1.10	1.50	523	1.25"	5.3		93	78	73	66	57	50
DS 2-28	28	1.50	2.00	702	1.25"	6.9		133	113	104	97	82	72
DS 2-40	40	2.20	3.00	901	1.25"	9.0		187	158	146	130	115	97
							267	226	208	186	164	136	

4" DS 3 | 4" Submersible Pumps | 50 Hz – 2 poles – 2850 rpm



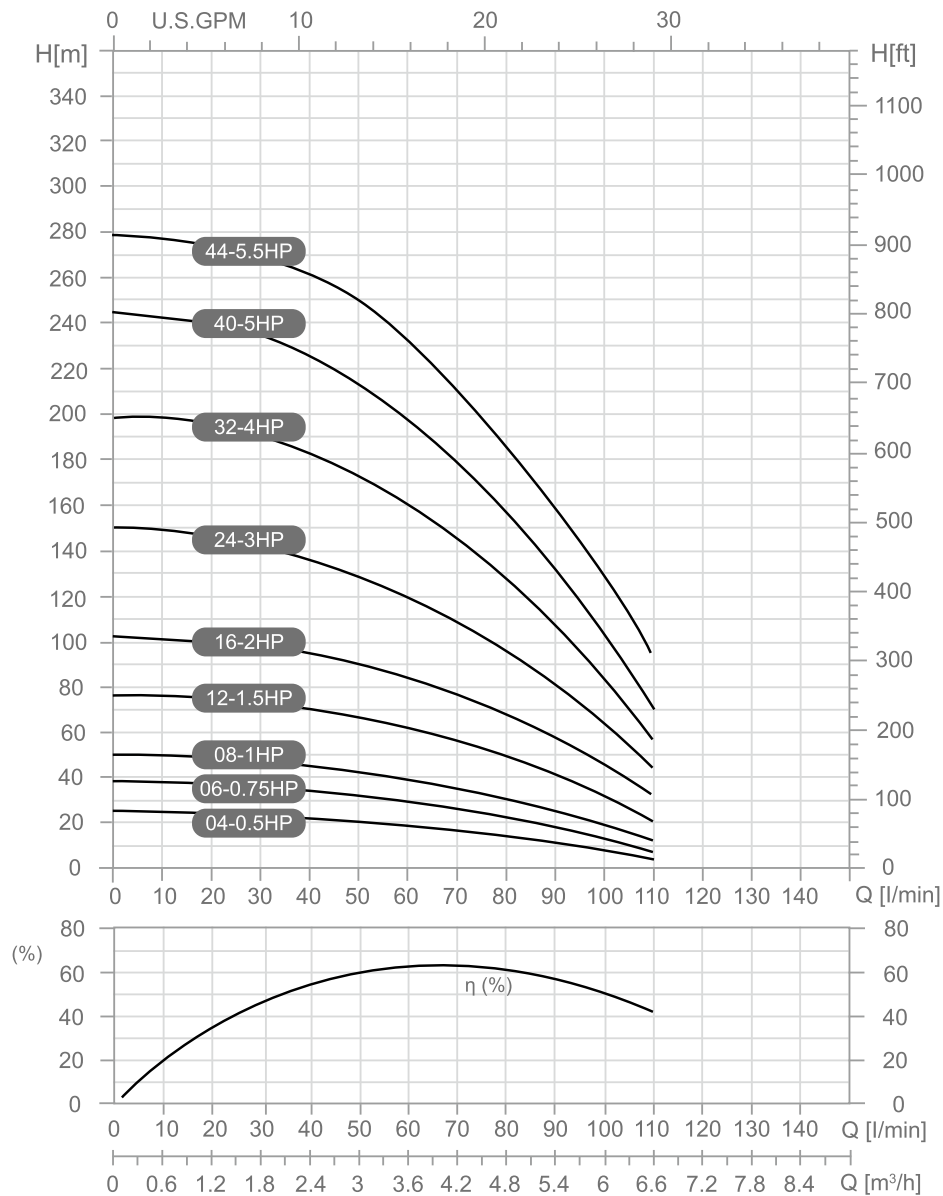
Type	N. of Stages	Motor		Pump			Q m3/h l/min	Delivery					
		KW	HP	Length (mm)	Outlet (inch)	Weight (Kg)		0	2.1	2.4	2.7	3.0	3.6
DS 3-5	5	0.37	0.50	261	1.25"	2.6	Head H m	34	29	27	25	23	18
DS 3-8	8	0.55	0.75	314	1.25"	3.1		54	46	43	41	38	30
DS 3-11	11	0.75	1.00	366	1.25"	3.7		72	61	58	54	49	38
DS 3-16	16	1.10	1.50	453	1.25"	4.6		106	89	83	77	70	54
DS 3-21	21	1.50	2.00	540	1.25"	5.5		142	122	115	108	100	79
DS 3-32	32	2.20	3.00	761	1.25"	7.6		208	177	165	152	138	104

4" DS 4 | 4" Submersible Pumps | 50 Hz – 2 poles – 2850 rpm



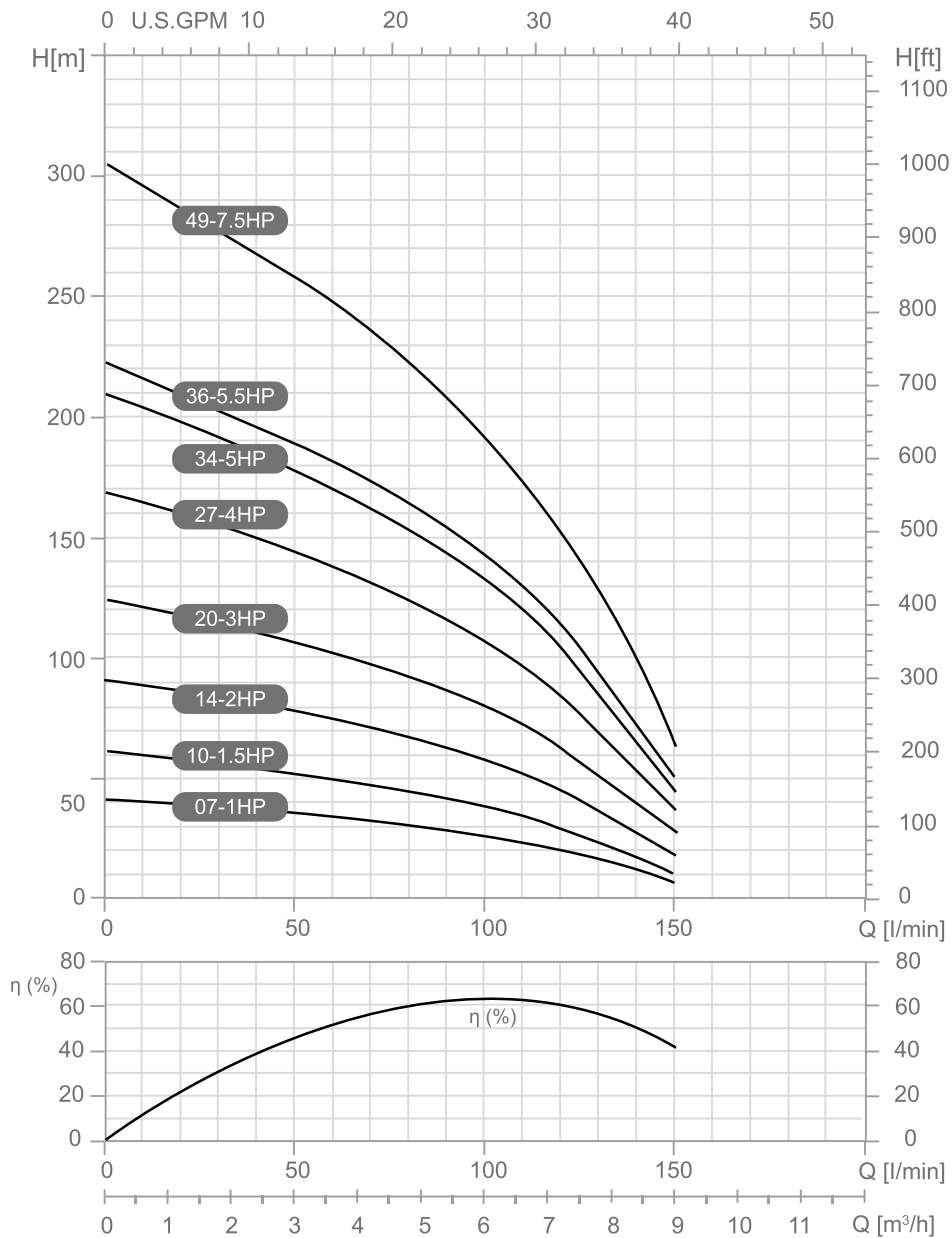
Type	N. of Stages	Motor		Pump			Q	Delivery						
		KW	HP	Length (mm)	Outlet (inch)	Weight (Kg)		m3/h	0	3.0	3.6	4.2	4.8	5.4
									0	50	60	70	80	90
DS 4-5	5	0.37	0.50	278	1.25"	2.8	Head H m	33	22	21	17	13	8	
DS 4-7	7	0.55	0.75	320	1.25"	3.1		46	36	33	28	21	13	
DS 4-9	9	0.75	1.00	363	1.25"	3.6		59	47	43	37	28	20	
DS 4-14	14	1.10	1.50	466	1.25"	4.6		93	76	68	58	47	33	
DS 4-18	18	1.50	2.00	547	1.25"	5.5		120	98	88	75	60	42	
DS 4-27	27	2.20	3.00	764	1.25"	7.7		175	141	127	109	87	61	
DS 4-35	35	3.00	4.00	929	1.25"	9.2		231	184	166	145	119	85	
DS 4-44	44	3.70	5.00	1119	1.25"	11.2		285	223	201	173	139	99	
DS 4-48	48	4.00	5.50	1202	1.25"	11.9		322	245	228	198	160	118	

4" DS 5 | 4" Submersible Pumps | 50 Hz – 2 poles – 2850 rpm



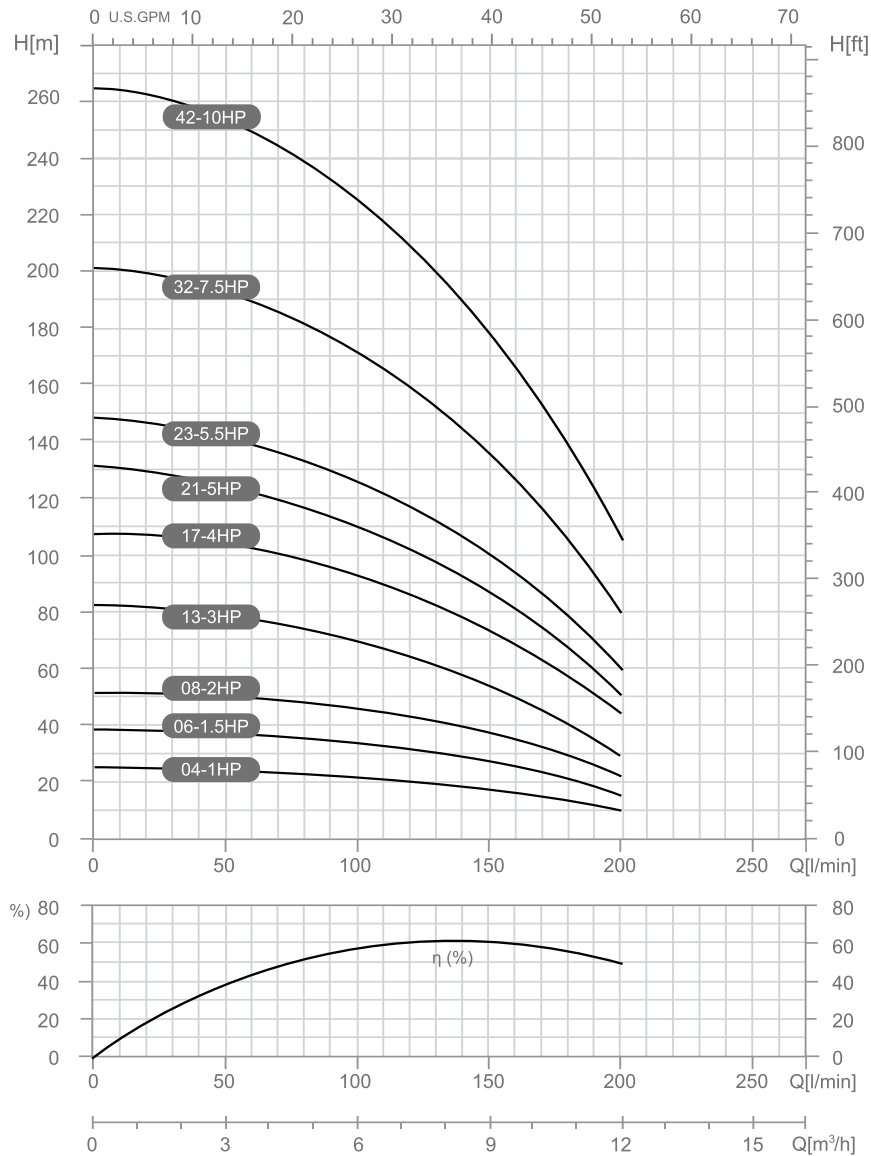
Type	N. of Stages	Motor		Pump			Q	Delivery						
		KW	HP	Length (mm)	Outlet (inch)	Weight (Kg)		m3/h	0	3.6	4.2	4.8	5.4	6.0
								l/min	0	60	70	80	90	100
DS 5-4	4	0.37	0.50	272	1.25"	2.7	Head H m	26	19	17	14	11	7	
DS 5-6	6	0.55	0.75	320	1.25"	3.0		38	30	26	22	18	12	
DS 5-8	8	0.75	1.00	368	1.25"	3.5		51	39	35	30	24	18	
DS 5-12	12	1.10	1.50	465	1.25"	4.3		77	63	57	49	41	31	
DS 5-16	16	1.50	2.00	561	1.25"	5.3		102	86	77	68	57	46	
DS 5-24	24	2.20	3.00	755	1.25"	7.1		151	122	111	97	80	62	
DS 5-32	32	3.00	4.00	979	1.25"	9.4		203	162	146	127	105	80	
DS 5-40	40	3.70	5.00	1172	1.25"	10.8		253	202	182	159	131	102	
DS 5-44	44	4.00	5.50	1269	1.25"	11.8	278	230	210	187	159	127		

4" DS 6 | 4" Submersible Pumps | 50 Hz – 2 poles – 2850 rpm



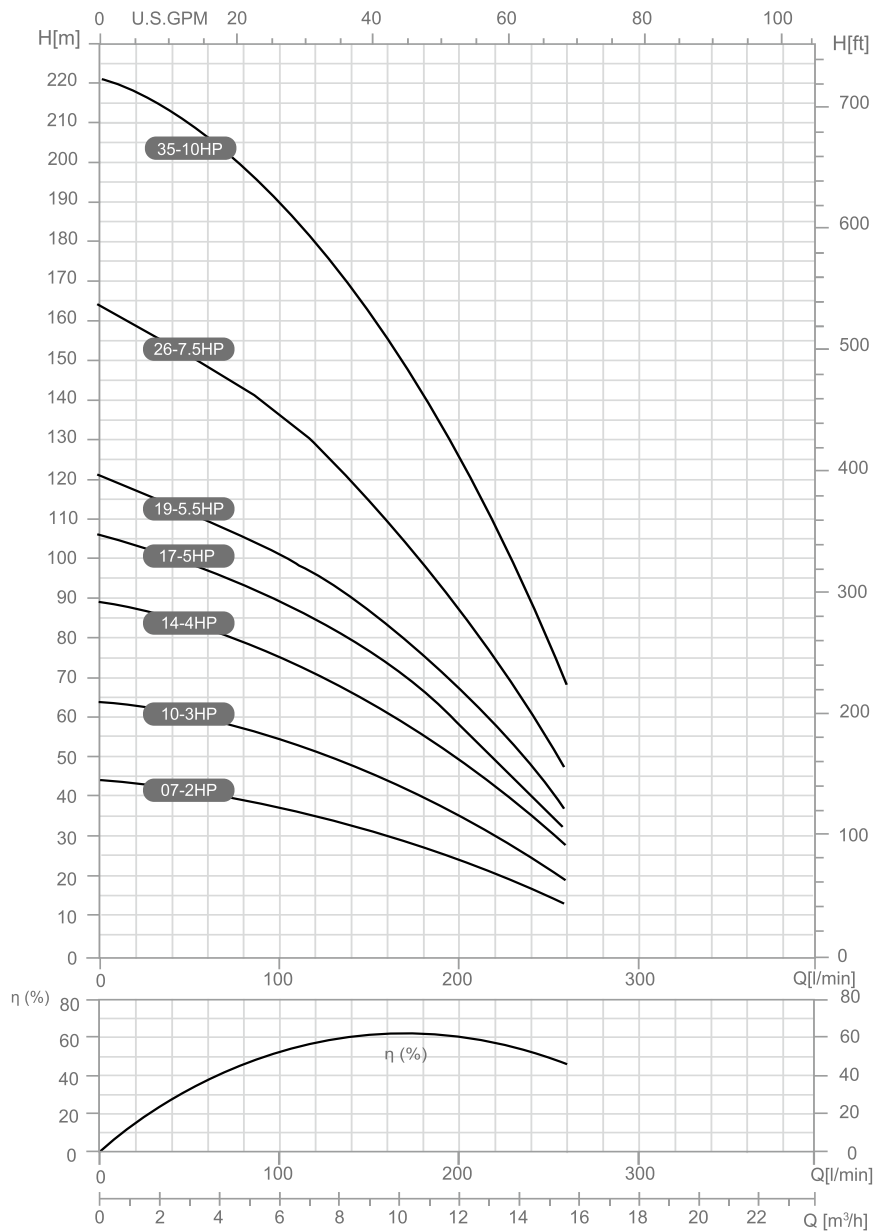
Type	N. of Stages	Motor		Pump			Q	Delivery					
		KW	HP	Length (mm)	Outlet (inch)	Weight (Kg)		m3/h	0	5.4	6.0	6.6	7.2
							l/min	0	90	100	110	120	130
DS 6-7	7	0.75	1.00	385	2"	3.7	Head H m	42	28	25	22	19	15
DS 6-10	10	1.10	1.50	479	2"	4.5		62	41	38	34	29	23
DS 6-14	14	1.50	2.00	602	2"	5.8		90	63	59	53	46	37
DS 6-20	20	2.20	3.00	789	2"	7.7		125	86	80	71	62	52
DS 6-27	27	3.00	4.00	1034	2"	9.7		169	115	107	96	84	70
DS 6-34	34	3.70	5.00	1251	2"	11.8		208	143	132	120	103	86
DS 6-36	36	4.00	5.50	1343	2"	13.0		221	154	143	127	112	93
DS 6-49	49	5.50	7.50	1745	2"	16.5		302	209	193	171	151	123

4" DS 8 | 4" Submersible Pumps | 50 Hz – 2 poles – 2850 rpm



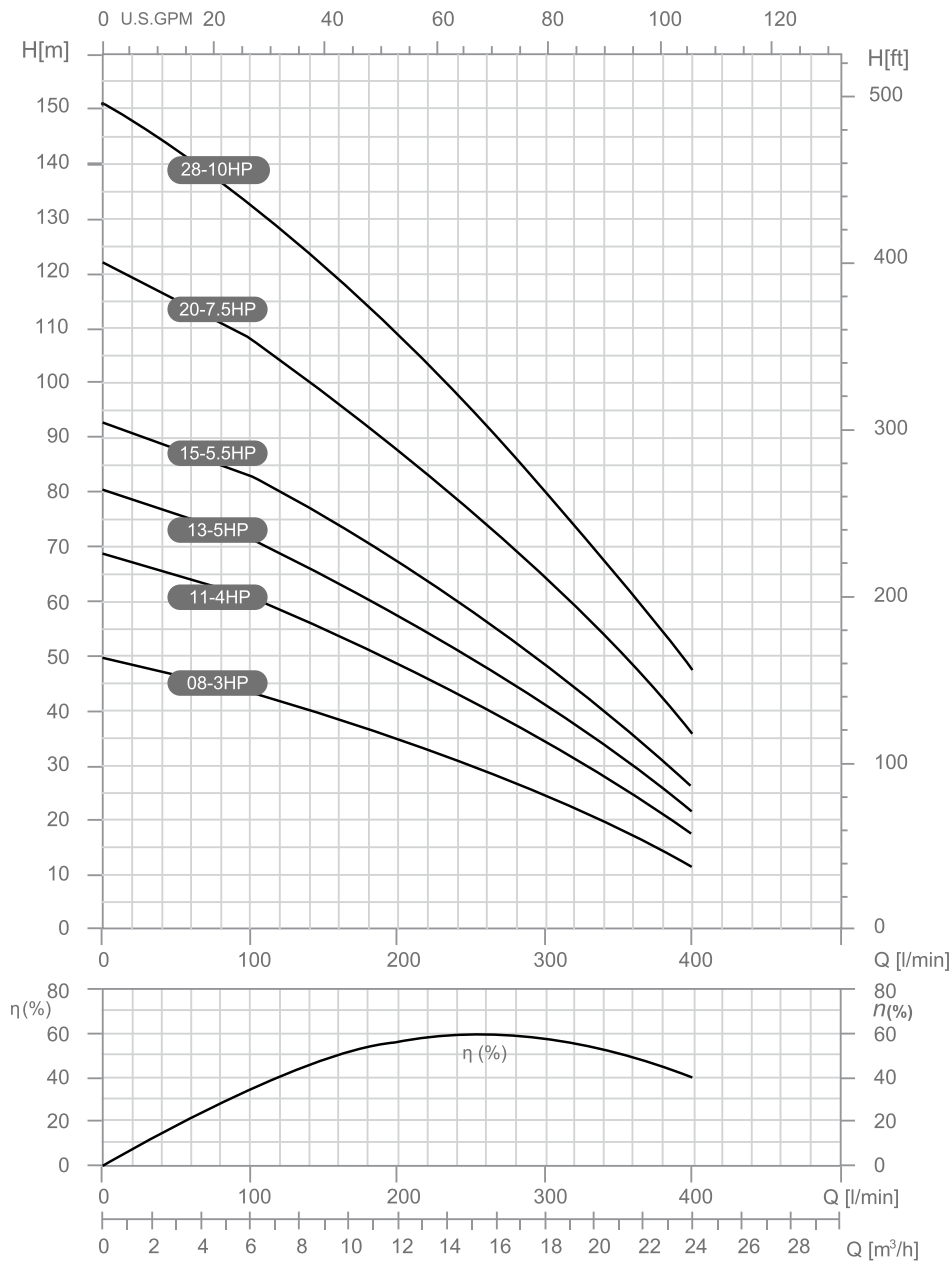
Type	N. of Stages	Motor		Pump			Q	Delivery						
		KW	HP	Length (mm)	Outlet (inch)	Weight (Kg)		m ³ /h	0	7.2	7.8	8.4	9.0	9.6
								l/min	0	120	130	140	150	160
DS 8-4	4	0.75	1.00	293	2"	2.8	Head H m	26	21	20	19	18	17	
DS 8-6	6	1.10	1.50	356	2"	3.6		39	32	30	29	27	26	
DS 8-8	8	1.50	2.00	419	2"	4.1		52	43	40	39	37	35	
DS 8-13	13	2.00	3.00	574	2"	5.4		82	66	62	59	53	50	
DS 8-17	17	3.00	4.00	698	2"	6.6		108	87	83	79	75	70	
DS 8-21	21	3.70	5.00	820	2"	7.8		132	103	98	93	88	82	
DS 8-23	23	4.00	5.50	916	2"	8.7		148	118	113	108	101	95	
DS 8-32	32	5.50	7.50	1197	2"	11.4		202	160	151	143	133	125	
DS 8-42	42	7.50	10.00	1540	2"	14.7		265	210	198	187	174	164	

4" DS 12 | 4" Submersible Pumps | 50 Hz – 2 poles – 2850 rpm



Type	N. of Stages	Motor		Pump			Q m3/h l/min	Delivery					
		KW	HP	Length (mm)	Outlet (inch)	Weight (Kg)		0	9.6	10.8	12.0	13.0	14.4
DS 12-7	7	1.50	2.00	533	2"	5.3	Head H m	0	9.6	10.8	12.0	13.0	14.4
DS 12-10	10	2.20	3.00	689	2"	6.6		0	160	180	200	220	240
DS 12-14	14	3.00	4.00	898	2"	8.6		45	31	28	25	22	18
DS 12-17	17	3.70	5.00	1083	2"	10.4		64	44	41	36	32	26
DS 12-19	19	4.00	5.50	1188	2"	11.2		89	62	56	49	43	35
DS 12-26	26	5.50	7.50	1551	2"	13.9		107	74	67	59	51	42
DS 12-35	35	7.50	10.00	2047	2"	17.7		120	89	76	68	58	48
							163	111	100	87	75	61	
							221	155	140	125	108	90	

4" DS 16 | 4" Submersible Pumps | 50 Hz – 2 poles – 2850 rpm



Type	N. of Stages	Motor		Pump			Q	Delivery					
		KW	HP	Length (mm)	Outlet (inch)	Weight (Kg)		m³/h	0	15.6	16.8	18.0	19.2
							l/min	0	260	280	300	320	340
DS 16-8	8	2.20	3.00	713	2"	6.5	Head H m	51	29	27	24	20	18
DS 16-11	11	3.00	4.00	917	2"	8.4		70	41	38	34	30	27
DS 16-13	13	3.70	5.00	1050	2"	9.6		81	48	45	41	36	32
DS 16-15	15	4.00	5.50	1219	2"	11.1		97	58	54	50	43	39
DS 16-20	20	5.50	7.50	1557	2"	13.8		125	74	70	65	56	44
DS 16-28	28	7.50	10.00	2127	2"	18.5		151	92	85	78	70	62