



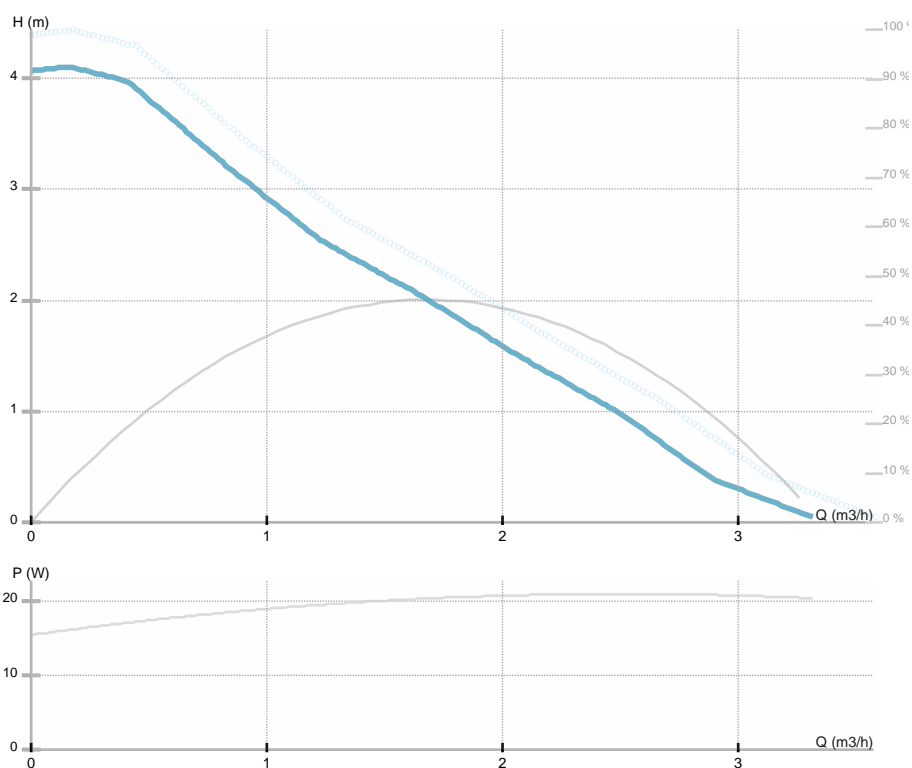
NMT PLUS 15/40-130

979523951

NMT PLUS / Electronically regulated circulating pump
 Heating/cooling, Klimatizacija

GENERAL

| | | | |
|-------------|---------------------------|-------|-------------------|
| Part number | 979523951 | | |
| Part name | NMT PLUS 15/40-130 | | |
| Seal type | | EEl | 0.16 |
| Net weight | 2.00 [kg] | | |
| H max | 4.1 [m] | H min | 0.0 [m] |
| Q max | 3.32 [m3/h] | Q min | 0.0 [m3/h] |
| | 45 [%] | | |
| Noise | ≤43 dB(A) | | |



ELECTRICAL DATA

| | |
|---------------------|---------------------|
| Power supply | 1~230 V |
| Mains frequency | 50 Hz |
| Motor power | 21 [w] |
| RPM | 3500 [1/min] |
| Insulation class | F |
| Declared current | 0.2 [A] |
| Declared protection | IP44 |
| Thermal protection | |
| Frame size | |
| Motor IE class | |

INSTALLATION

| | |
|--------------------|-----------------------------------|
| Fluid | Water VDI 2035, glycol 40% |
| Fluid temperature | -10.0 ÷ 110.0 [°C] |
| Ambient temp.range | 40 deg C |
| Length | 130 [mm] |
| DN | 15 [mm] |
| Connector | G 1 |
| Connection | G 1 |
| Max pressure | 1.0 MPa |

MATERIAL

| | |
|---------------------|-----------------------|
| Bearing material | Ceramics |
| Impeller material | Noryl 1630V |
| Hydraulics material | Gray cast iron |
| Shaft material | Ceramics |

NMT PLUS 15/40-130

979523951

NMT PLUS / Electronically regulated circulating pump

Heating/cooling, Klimatizacija



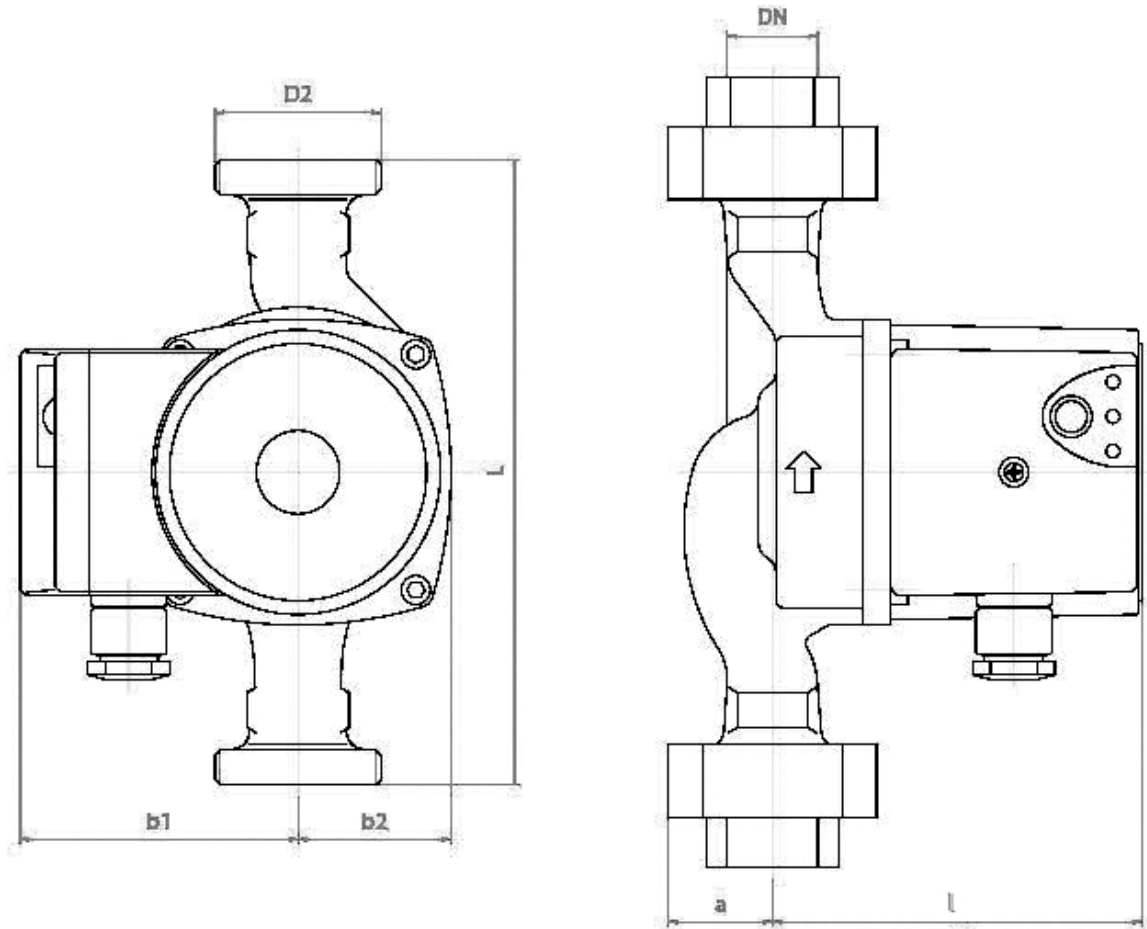


NMT PLUS 15/40-130

979523951

NMT PLUS / Electronically regulated circulating pump
Heating/cooling, Klimatizacija

Dimension drawing



L=130 DN=15 b1=79 b2=47,5 l=108 a=27 D2=1

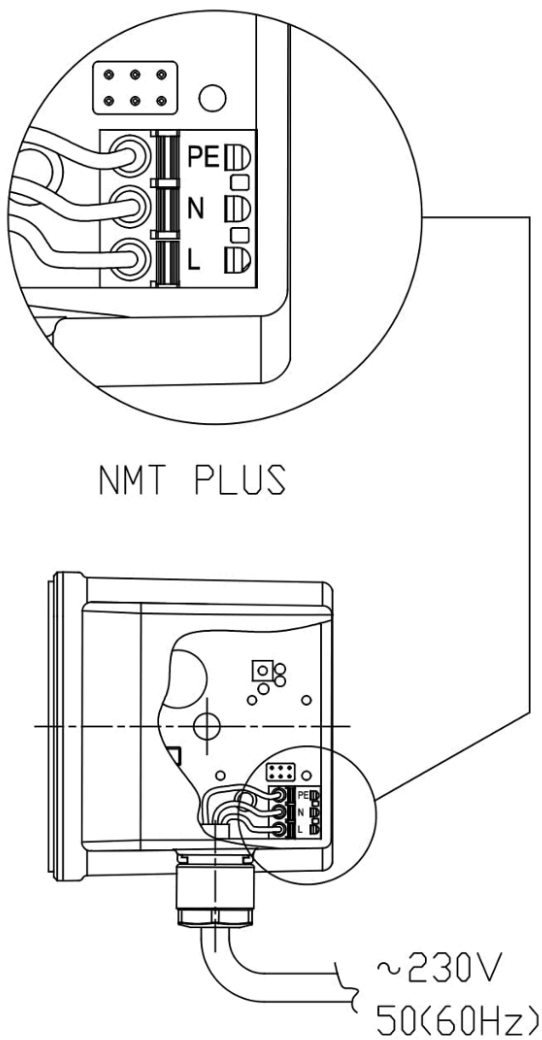


NMT PLUS 15/40-130

979523951

NMT PLUS / Electronically regulated circulating pump
Heating/cooling, Klimatizacija

Electrical wiring





NMT PLUS 15/40-130

979523951

NMT PLUS / Electronically regulated circulating pump
Heating/cooling, Klimatizacija