



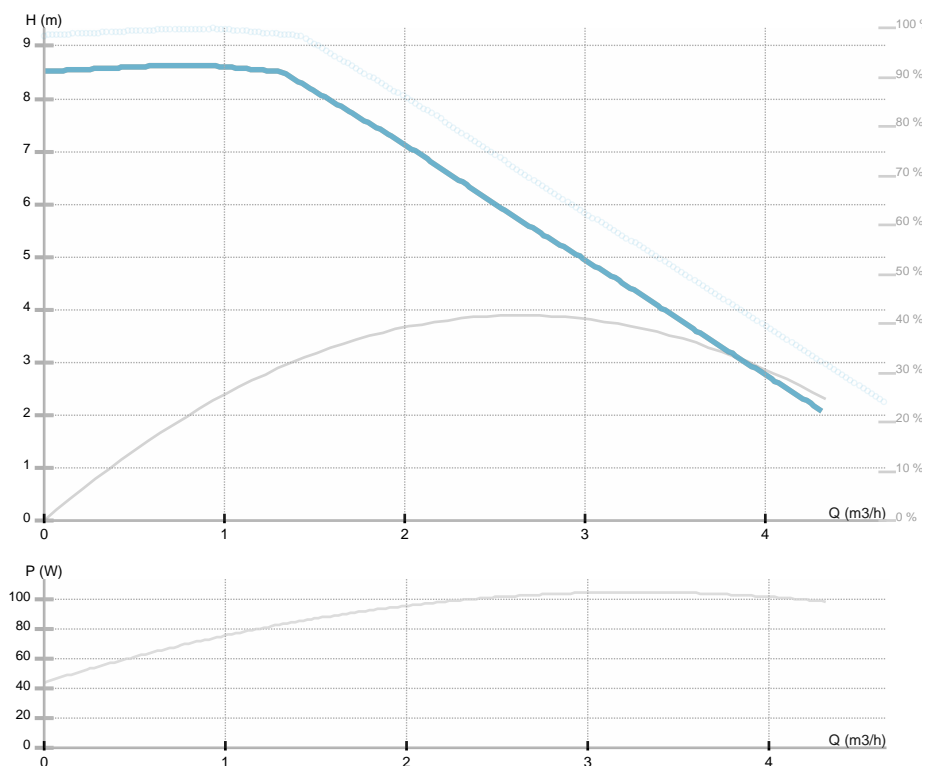
NMT PLUS 20/90-180

979525235

NMT PLUS / Electronically regulated circulating pump
 Heating/cooling

GENERAL

Part number	979525235		
Part name	NMT PLUS 20/90-180		
Seal type		EEl	0.23
Net weight	2.29 [kg]		
H max	8.52 [m]	H min	0.0 [m]
Q max	4.5 [m3/h]	Q min	0.0 [m3/h]
Noise	≤43 dB(A)		



ELECTRICAL DATA

Power supply	1~230 V
Mains frequency	50 Hz
Motor power	100 [w]
RPM	5000 [1/min]
Insulation class	F
Declared current	0.8 [A]
Declared protection	IP44
Thermal protection	
Frame size	
Motor IE class	

INSTALLATION

Fluid	Water VDI 2035, glycol 40%
Fluid temperature	-10.0 ÷ 110.0 [°C]
Ambient temp.range	40 deg C
Length	180 [mm]
DN	20 [mm]
Connector	G 1 ¼
Connection	G 1 ¼
Max pressure	1.0 MPa

MATERIAL

Bearing material	Ceramics
Impeller material	Noryl 1630V
Hydraulics material	Gray cast iron
Shaft material	Ceramics

NMT PLUS 20/90-180

979525235

NMT PLUS / Electronically regulated circulating pump
Heating/cooling



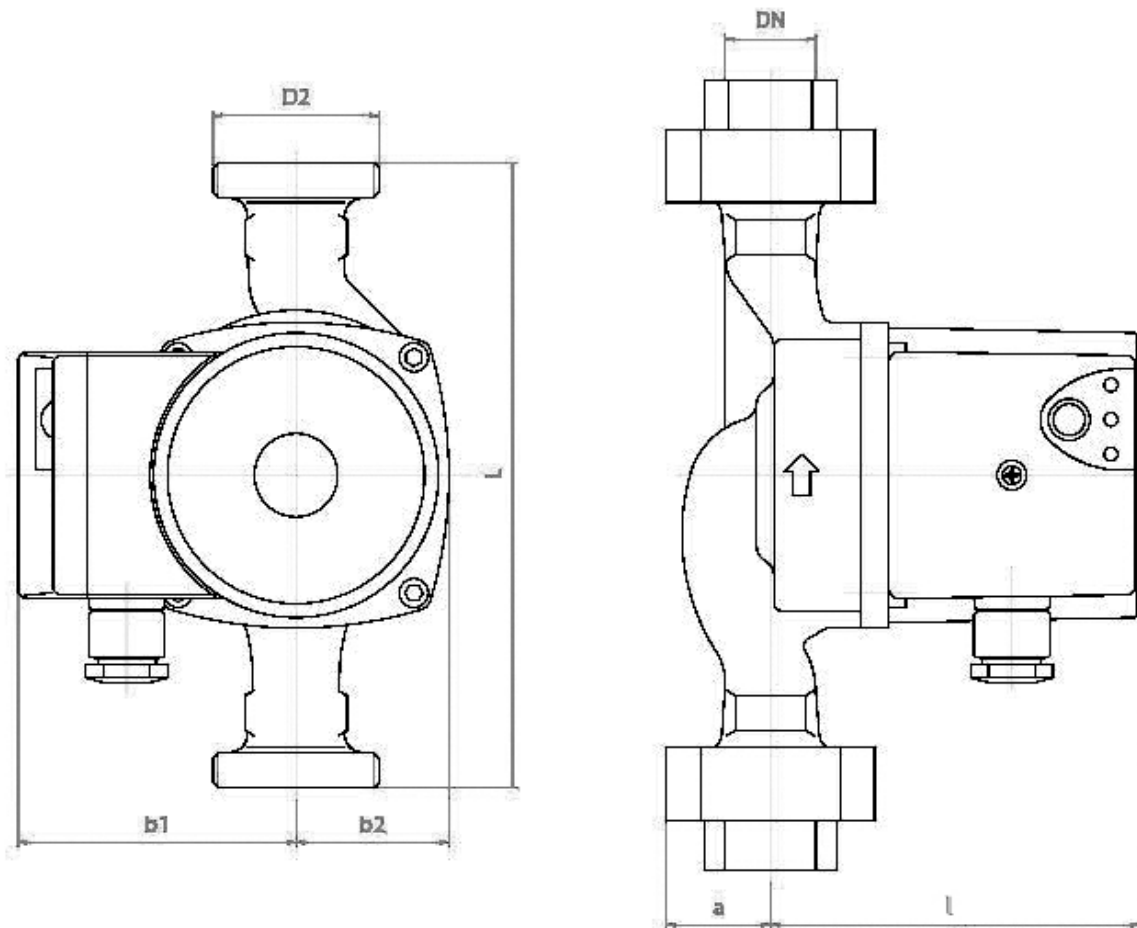


NMT PLUS 20/90-180

979525235

NMT PLUS / Electronically regulated circulating pump
Heating/cooling

Dimension drawing



L=180 DN=20 b1=80 b2=48 l=108 a=29 D2=5/4

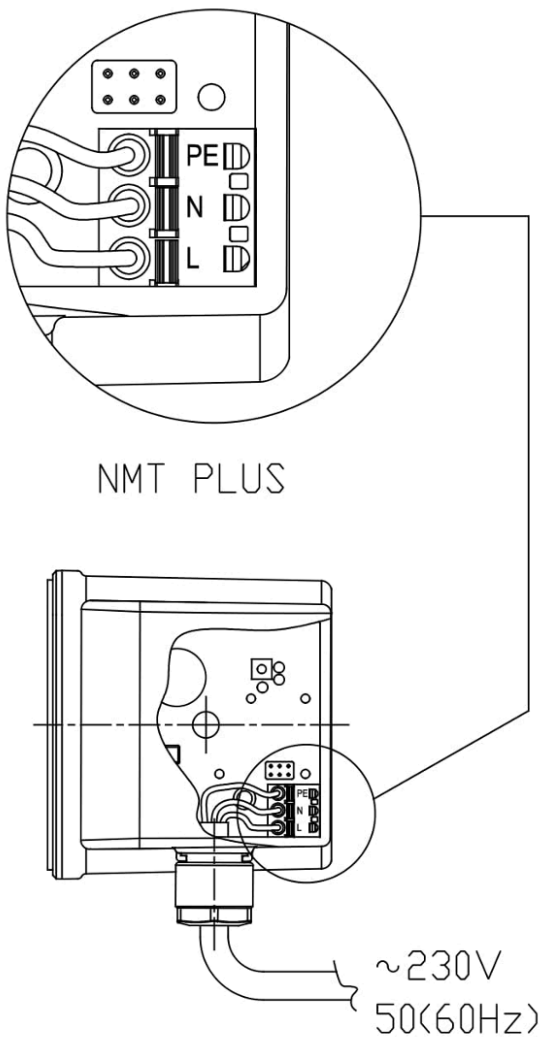


NMT PLUS 20/90-180

979525235

NMT PLUS / Electronically regulated circulating pump
Heating/cooling

Electrical wiring





NMT PLUS 20/90-180

979525235

NMT PLUS / Electronically regulated circulating pump

Heating/cooling