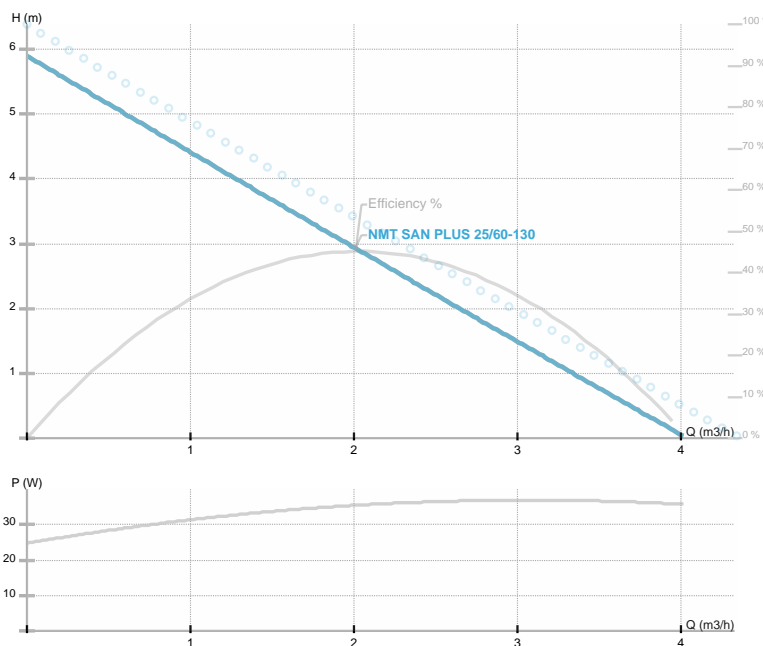




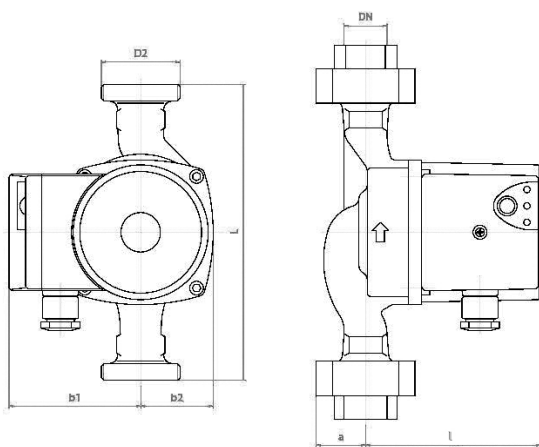
## NMT SAN PLUS 25/60-130

NMT SAN PLUS / Electronically regulated threaded pumps for circulation of sanitary water  
 Sanitary water



|                     |                           |
|---------------------|---------------------------|
| Part number         | <b>979523934</b>          |
| Power supply        | <b>1~230 V</b>            |
| Declared protection | <b>IP44</b>               |
| Q max               | <b>3.31 [m³/h]</b>        |
| H max               | <b>5.76 [m]</b>           |
| RPM                 | <b>4100 [1/min]</b>       |
| Motor power         | <b>36 [w]</b>             |
| Declared current    | <b>0.32 [A]</b>           |
| Fluid               | <b>Water VDI 2035</b>     |
| Fluid temperature   | <b>-10.0 ÷ 110.0 [°C]</b> |
| Insulation class    | <b>F</b>                  |
| DN                  | <b>25 [mm]</b>            |
| Connector           | <b>Rp 1</b>               |
| Net weight          | <b>2.30 [kg]</b>          |
| Length              | <b>130 [mm]</b>           |
| Approvals           | <b>CE EAC</b>             |
| EEL                 | <b>0.18</b>               |
| Efficiency          | <b>38.25 [%]</b>          |
| Impeller material   | <b>Noryl 1630V</b>        |
| Bearing material    | <b>Ceramics</b>           |
| Shaft material      | <b>Ceramics</b>           |
| Hydraulics material | <b>Bronze</b>             |
| Mains frequency     | <b>50 Hz</b>              |
| Connection          | <b>Rp 1</b>               |
| Max pressure        | <b>1.0 MPa</b>            |
| Ambient temp.range  | <b>40 deg C</b>           |

### Drawing



L=130 DN=25 b1=80 b2=48 l=108 a=32 D2=6/4

### Electrical wiring

