



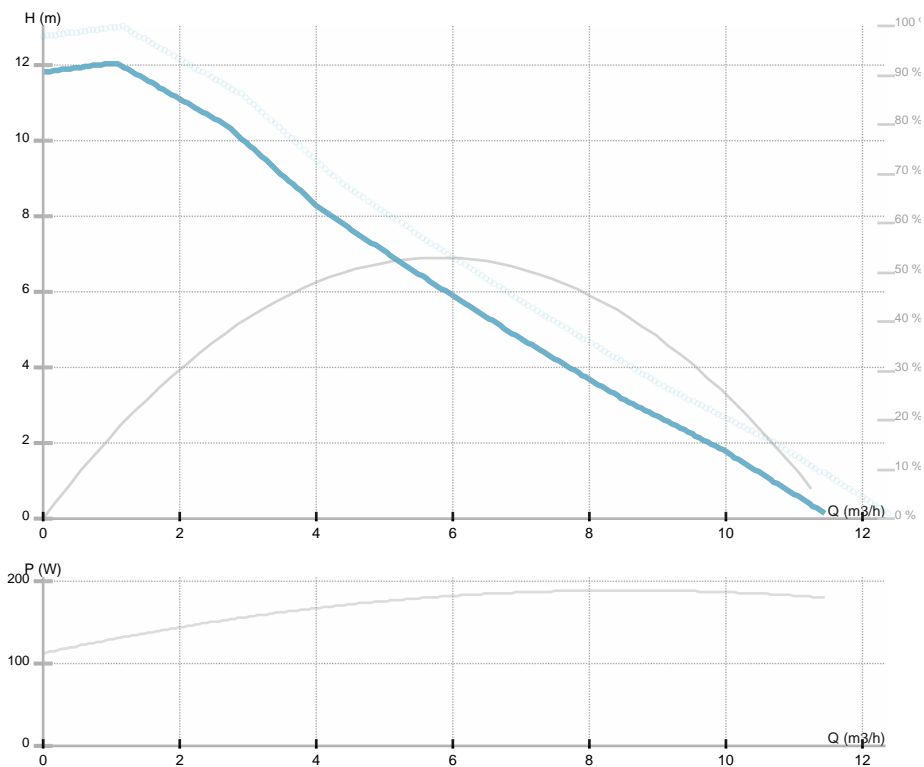
## NMT SMART C 32/120-180

979524539

 NMT SMART C / Electronically regulated circulating pump -  
 communication  
 Heating/cooling

### GENERAL

|             |                                |       |                              |
|-------------|--------------------------------|-------|------------------------------|
| Part number | <b>979524539</b>               |       |                              |
| Part name   | <b>NMT SMART C 32/120-180</b>  |       |                              |
| Seal type   |                                | EEl   | <b>0.2</b>                   |
| Net weight  | <b>3.50 [kg]</b>               |       |                              |
| H max       | <b>12.07 [m]</b>               | H min | <b>0.0 [m]</b>               |
| Q max       | <b>10.77 [m<sup>3</sup>/h]</b> | Q min | <b>0.0 [m<sup>3</sup>/h]</b> |
|             | <b>50 [%]</b>                  |       |                              |
| Noise       | <b>≤43 dB(A)</b>               |       |                              |



### ELECTRICAL DATA

|                     |                     |
|---------------------|---------------------|
| Power supply        | <b>1~230 V</b>      |
| Mains frequency     | <b>50/60 Hz</b>     |
| Motor power         | <b>180 [w]</b>      |
| RPM                 | <b>4800 [1/min]</b> |
| Insulation class    | <b>F</b>            |
| Declared current    | <b>1.5 [A]</b>      |
| Declared protection | <b>IP44</b>         |
| Thermal protection  | <b>NTC</b>          |
| Frame size          |                     |
| Motor IE class      |                     |

### INSTALLATION

|                    |                                       |
|--------------------|---------------------------------------|
| Fluid              | <b>Water VDI 2035,<br/>glycol 40%</b> |
| Fluid temperature  | <b>-10.0 ÷ 110.0 [°C]</b>             |
| Ambient temp.range | <b>40 deg C</b>                       |
| Length             | <b>180 [mm]</b>                       |
| DN                 | <b>32 [mm]</b>                        |
| Connector          | <b>G 2</b>                            |
| Connection         | <b>G 2</b>                            |
| Max pressure       | <b>1.0 MPa</b>                        |

### MATERIAL

|                     |                       |
|---------------------|-----------------------|
| Bearing material    | <b>Graphite</b>       |
| Impeller material   | <b>PES GF 30</b>      |
| Hydraulics material | <b>Gray cast iron</b> |
| Shaft material      | <b>AISI 420</b>       |

## **NMT SMART C 32/120-180**

979524539

NMT SMART C / Electronically regulated circulating pump - communication  
Heating/cooling



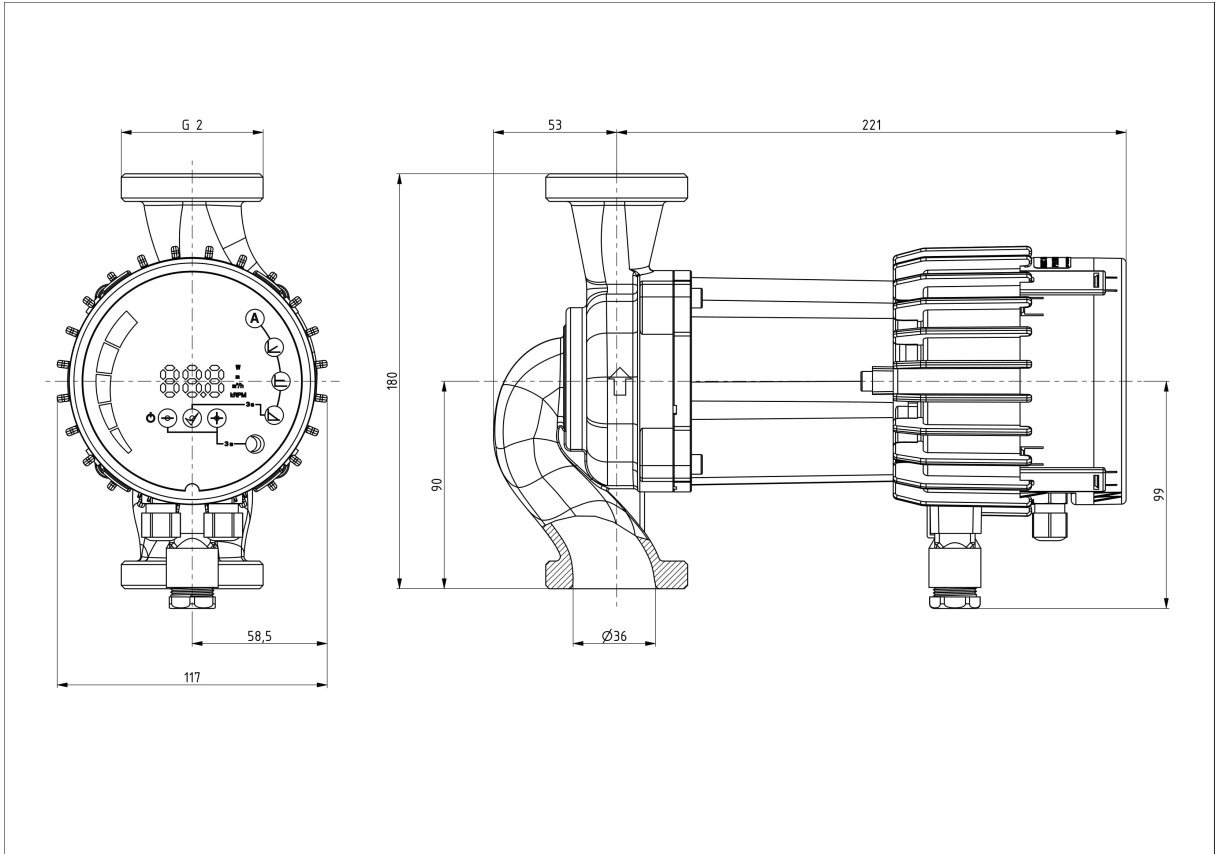


## NMT SMART C 32/120-180

979524539

NMT SMART C / Electronically regulated circulating pump -  
communication  
Heating/cooling

Dimension drawing



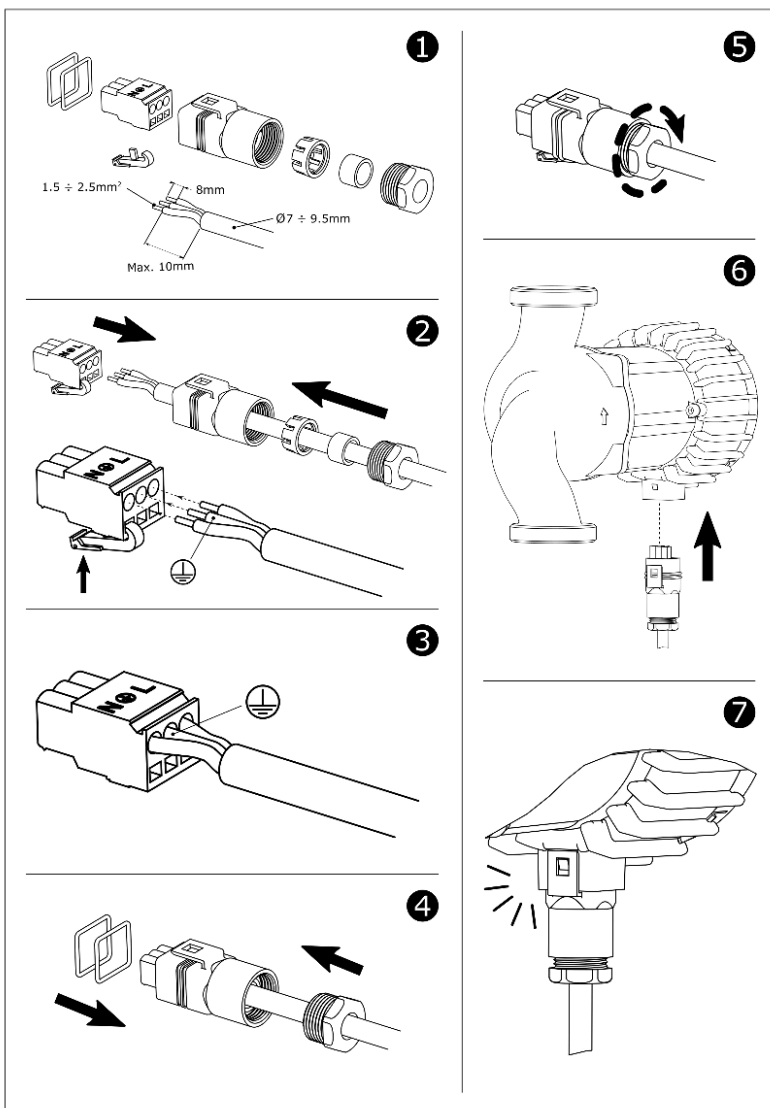


## NMT SMART C 32/120-180

979524539

NMT SMART C / Electronically regulated circulating pump -  
communication  
Heating/cooling

### Electrical wiring





## **NMT SMART C 32/120-180**

979524539

NMT SMART C / Electronically regulated circulating pump -  
communication  
Heating/cooling